

SINGER®

4411 Instruction Manual

IMPORTANT SAFETY INSTRUCTIONS

When using an electrical appliance, basic safety should always be followed, including the following:

Read all instructions before using this sewing machine.

DANGER - To reduce the risk of electric shock:

1. An appliance should never be left unattended when plugged in.
2. Always unplug this appliance from the electric outlet immediately after using and before cleaning.
3. Always unplug before changing the light bulb. Replace bulb with same type rated 15 watts (110-120V area / 220-240V area).

WARNING - To reduce the risk of burns, fire, electric shock, or injury to persons:

1. Do not allow to be used as a toy. Close attention is necessary when this appliance is used by or near children.
2. Use this appliance only for its intended use as described in this manual. Use only attachments recommended by the manufacturer as contained in this manual.
3. Never operate this appliance if it has a damaged cord or plug, if it is not working properly, if it has been dropped or damaged, or dropped into water. Return the appliance to the nearest authorized dealer or service center for examination, repair, electrical or mechanical adjustment.
4. Never operate the appliance with any air openings blocked. Keep ventilation openings of the sewing machine and foot controller free from accumulation of lint, dust, and loose cloth.
5. Keep fingers away from all moving parts. Special care is required around the sewing machine needle.
6. Always use the proper needle plate. The wrong plate can cause the needle to break.
7. Do not use bent needles.
8. Do not pull or push fabric while stitching. It may deflect the

needle causing it to break.

9. Switch the sewing machine off ("O") when making any adjustments in the needle area, such as threading needle, changing needle, threading bobbin, or changing presser foot, and the like.
10. Always unplug sewing machine from the electrical outlet when removing covers, lubricating, or when making any other user servicing adjustments mentioned in the instruction manual.
11. Never drop or insert any object into any opening.
12. Do not use outdoors.
13. Do not operate where aerosol spray products are being used or where oxygen is being administered.
14. To disconnect, turn all controls to the off ("O") position, then remove plug from outlet.
15. Do not unplug by pulling on cord. To unplug, grasp the plug, not the cord.
16. The sound pressure level under normal operating conditions is 75dB(A).
17. Please turn off the machine or unplug when the machine is not operating properly.
18. Never place anything on the foot controller.
19. If the supply cord that is fixed with foot controller is damaged, it must be replaced by the manufacturer or its service agent or a similar qualified person in order to avoid a hazard.
20. This appliance is not intended for use by persons (including children) with reduced physical, sensory or mental capabilities, or lack of experience and knowledge, unless they have been given supervision or instruction concerning use of the appliance by a person responsible for their safety.
21. Children should be supervised to ensure that they do not play with the appliance.

SAVE THESE INSTRUCTIONS

This sewing machine is intended for household use only.

Congratulations

As the owner of a new Singer sewing machine, you are about to begin an exciting adventure in creativity. From the moment you first use your machine, you will know you are sewing on one of the easiest to use sewing machines ever made.

May we recommend that, before you start to use your sewing machine, you discover the many features and the ease of operation by going through this instruction book, step by step, seated at your machine.

To ensure that you are always provided with the most modern sewing capabilities, the manufacturer reserves the right to change the appearance, design or accessories of this sewing machine when considered necessary.

SINGER is a registered trademark of The Singer Company Limited or its affiliates.

© 2010 The Singer Company Limited or its affiliates. All rights reserved.

List of Contents

Machine Basics

Principle Parts of the Machine.....	2/3
Connecting Machine to Power Source	4
Two Step Presser Foot Lifter/ Adjusting Presser Foot Pressure	5
Accessories	6

Threading the Machine

Winding the Bobbin	7
Inserting the Bobbin	8
Threading the Upper Thread	9
Raising the Bobbin Thread	10
Thread Tension	11

Sewing

How to Choose Your Pattern	12
Three Needle Position Dial.....	13
Stitch Width Dial & Stitch Length Dial	14
Sewing Straight Stitch	15
Reverse Sewing/ Removing the Work/ Cutting the Thread	16
Blind Hem	17
Buttonholes	18
Left and Right Side Balance for Buttonhole	19
Sewing on Buttons	20

General Information

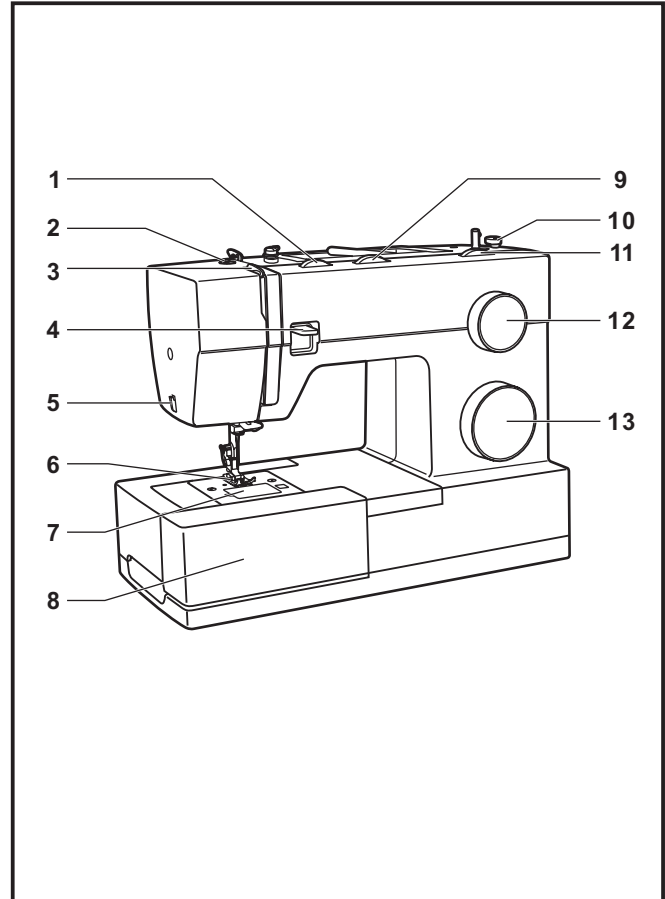
Installing the Removable Extension Table.....	21
Attaching the Presser Foot Shank.....	22
Needle/ Fabric/ Thread Chart.....	23
How To Drop Feed Dog.....	24

Maintenance and Troubleshooting

Inserting & Changing Needle	25
Changing the Bulb	26
Troubleshooting Guide	27

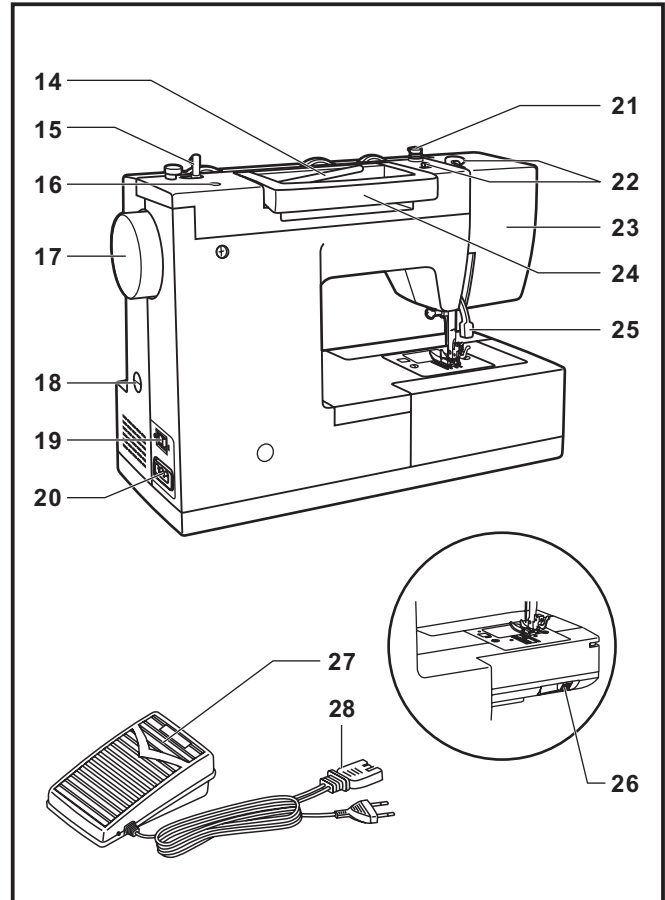
□ Principal Parts of the Machine

1. Thread tension dial
2. Presser foot pressure adjustment
3. Thread take-up lever
4. Reverse sewing lever
5. Thread cutter
6. Presser foot
7. Needle plate cover
8. Removable extension table/ accessory storage
9. Three needle position dial
10. Bobbin stopper
11. Stitch width dial
12. Stitch length dial
13. Pattern selector dial



□ Principal Parts of the Machine

14. Horizontal spool pin
15. Bobbin winding spindle
16. Hole for auxiliary spool pin
17. Handwheel
18. Buttonhole stitch balance adjustment slot
19. Power and light switch
20. Main plug socket
21. Bobbin thread guide
22. Upper thread guide
23. Face plate
24. Handle
25. Presser foot lifter
26. Drop feed control
27. Foot speed control
28. Power cord



□ Connecting Machine to Power Source

Connect the machine to a power source as illustrated. (1)
This appliance is equipped with a polarized plug which must be used with the appropriate polarized outlet. (2)

Attention:

Unplug power cord when machine is not in use.

Foot control

The foot control pedal regulates the sewing speed. (3)

Attention:

Consult a qualified electrician if in doubt of how to connect machine to power source.

Unplug power cord when machine is not in use.

The foot control must be used with the appliance by KD-1902 (110-120V area)/ KD-2902 (220-240V area) manufactured by ZHEJIANG FOUNDER MOTOR CORPORATION LTD. (China)
4C-316B (110-120V area)/ 4C-326G (230V area) manufactured by Wakaho Electric Ind. Co., Ltd. (Vietnam)

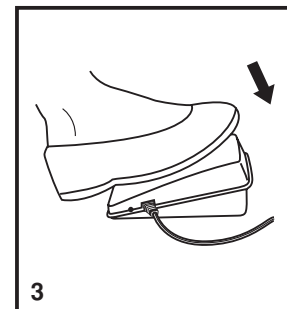
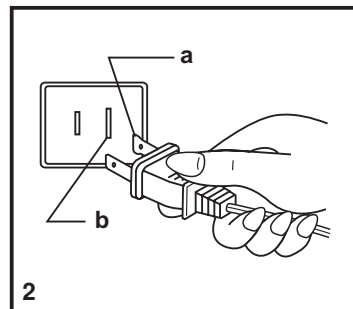
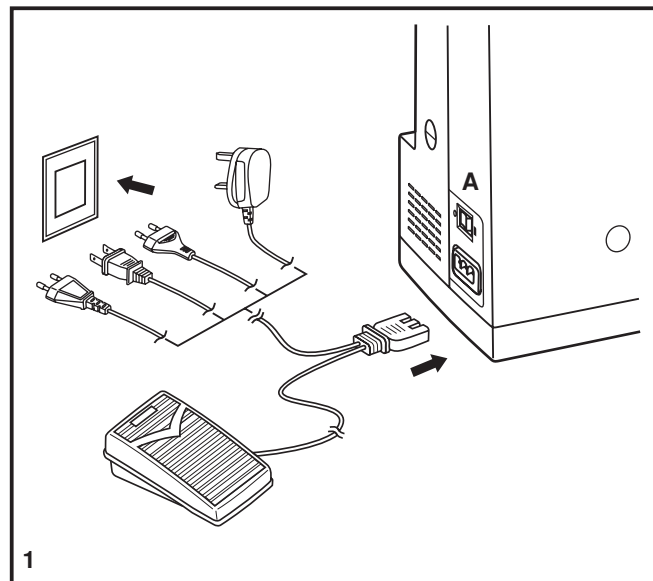
Sewing light

Press main switch (A) to "I" for power and light.

IMPORTANT NOTICE

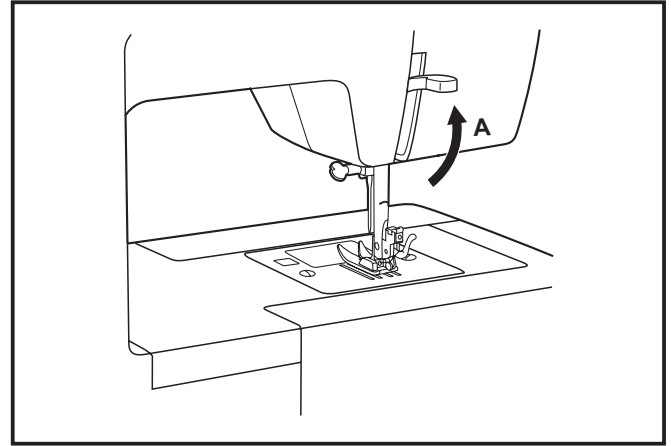
For appliance with a polarized plug (one blade is wider than the other). To reduce the risk of electric shock, this plug is intended to fit in a polarized outlet only one way. If it does not fit fully in the outlet, reverse the plug. If it still does not fit, contact a qualified electrician to install the proper outlet. Do not modify the plug in any way.

- a. Polarized attachment plug
- b. Conductor intended to be grounded



Two Step Presser Foot Lifter

When sewing several layers or thick fabrics, the presser foot can be raised to a higher position for easy positioning of the work. (A)

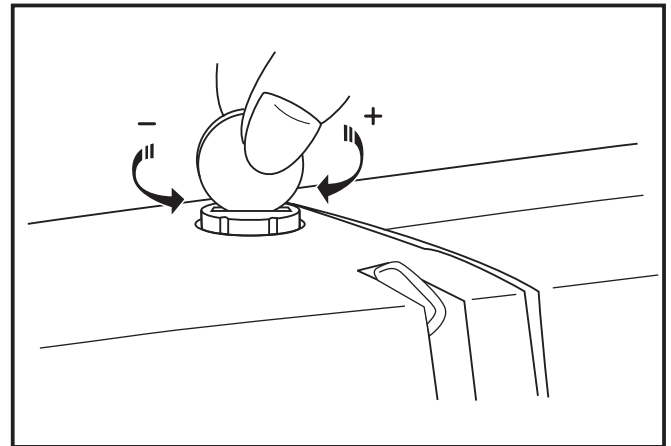


Adjusting Presser Foot Pressure

The presser foot pressure of the machine has been pre-set and requires no particular readjustment according to the type of fabric (light-or-heavy weight).

However, if you need to adjust the presser foot pressure, turn the presser adjusting screw with a coin.

For sewing very thin fabric, loosen the pressure by turning the screw counter clockwise, and for heavy fabric, tighten by turning it clockwise.



□ Accessories

Standard accessories (1)

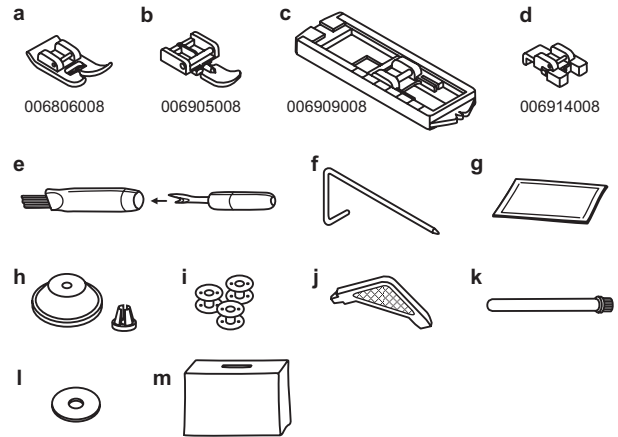
- a. All purpose foot
- b. Zipper foot
- c. Buttonhole foot
- d. Button sewing foot
- e. Seam ripper/ brush
- f. Edge/ quilting guide
- g. Pack of needles
- h. Spool holders
- i. Bobbin (3x)
- j. L-screwdriver
- k. Auxiliary Spool Pin
- l. Spool pin felt
- m. Soft cover

Optional accessories (2)

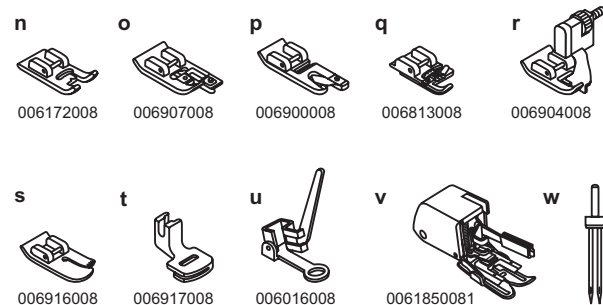
(These 10 accessories are not supplied with this machine; they are, however, available for purchase from your authorized retailer.)

- n. Satin stitch foot
- o. Overcasting foot
- p. Hemmer foot
- q. Cording foot
- r. Blind hem foot
- s. Quilting/ straight stitch foot
- t. Gathering foot
- u. Darning/ embroidery foot
- v. Even Feed foot
- w. Twin needle

1 Standard accessories



2 Optional accessories

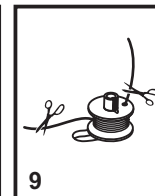
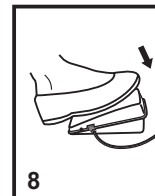
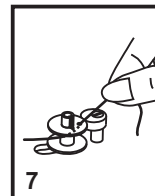
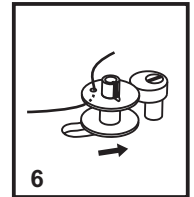
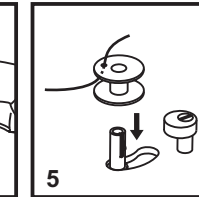
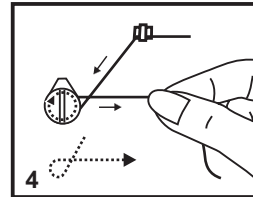
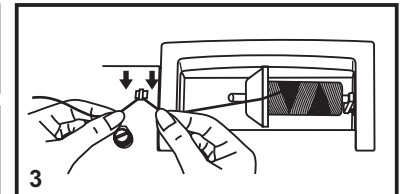
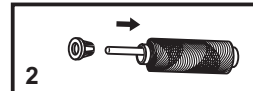
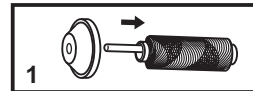
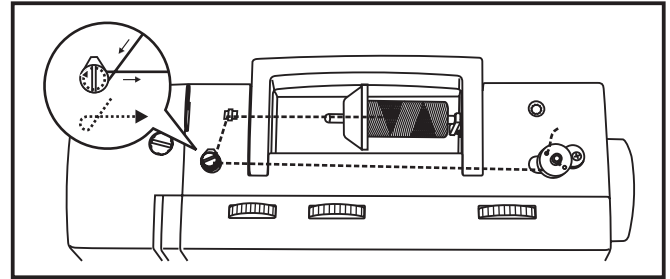


□ Winding the Bobbin

- Place thread and corresponding spool holder on to spool pin. (1/2)
- Snap thread into thread guide. (3)
- Wind thread clockwise around bobbin winder tension discs. (4)
- Thread bobbin as illustrated and place on spindle. (5)
- Push bobbin spindle to right. (6)
- Hold thread end. (7)
- Step on foot control pedal. (8)
- Cut thread. (9)
- Push bobbin spindle to left (10) and remove.

Please Note:

When the bobbin winder spindle is in "bobbin winding" position, the machine will not sew and the handwheel turn. To start sewing, push the bobbin winder spindle to the left (sewing position).



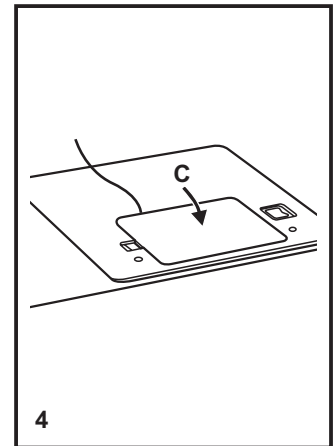
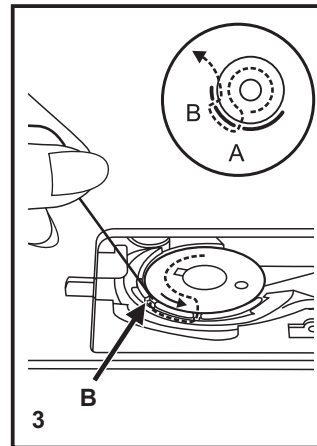
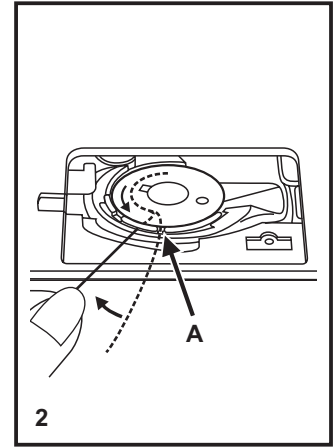
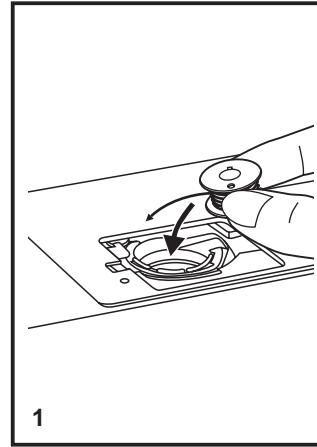
□ Inserting the Bobbin

When inserting or removing the bobbin, the needle must be fully raised.

1. Insert the bobbin in the bobbin case with the thread running counterclockwise direction (arrow).
2. Pull the thread through the slit (A).
3. Draw the thread clockwise until it slips into the notch (B).
4. Pull out about 15 cm (6 inches) of thread and attach the bobbin cover plate. (C)

Attention:

Turn power switch to off ("O") before inserting or removing the bobbin.



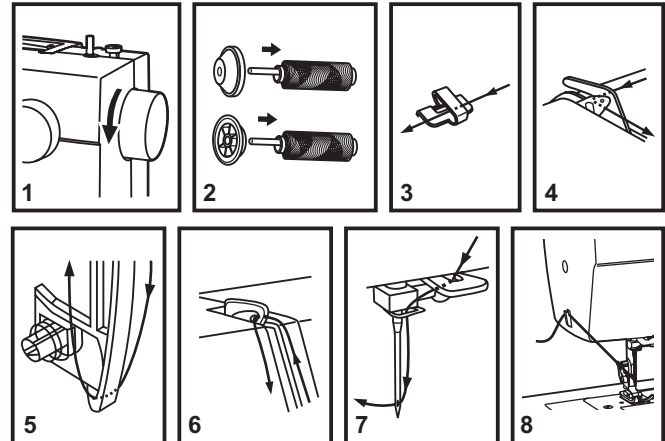
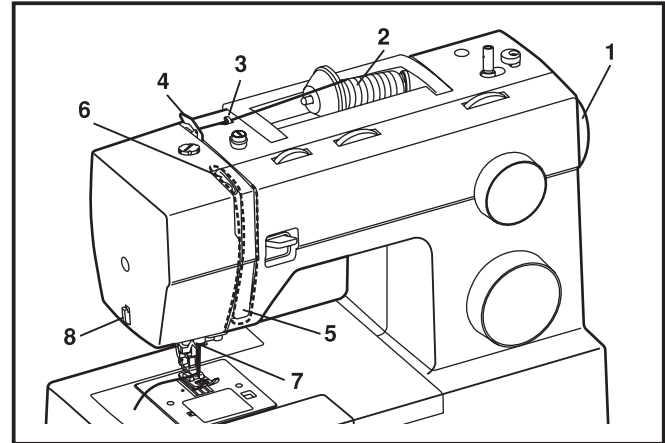
□ Threading the Upper Thread

This is a simple operation but it is important to carry out correctly as by not doing so several sewing problems could result.

- Start by raising the needle to its highest point (1), and continue turning the handwheel counterclockwise until the needle just slightly begins to descend. Raise the presser foot to release the tension discs.

Note: For safety, it is strongly suggested you turn off the power before threading.

- Lift up the spool pin. Place the spool of thread on the holder with the thread coming off the spool as shown. For small thread spools, place small side of spool holder next to spool. (2)
- Draw thread from spool through the upper thread guide (3) and pulling thread through pre-tension spring as illustrated. (4)
- Thread tension module by leading thread down right channel and up left channel. (5) During this process it is helpful to hold the thread between the spool and thread guide.
- At the top of this movement pass thread from right to left through the slotted eye of the take-up lever and then downwards again. (6)
- Now pass the thread behind the horizontal thread guide, and then behind the thin wire needle clamp guide (7) and then down to the needle which should be threaded from front to back.
- Pull about 6-8 inches of thread to the rear beyond the needle eye. Trim thread to length with built in thread cutter. (8)



□ Raising the Bobbin Thread

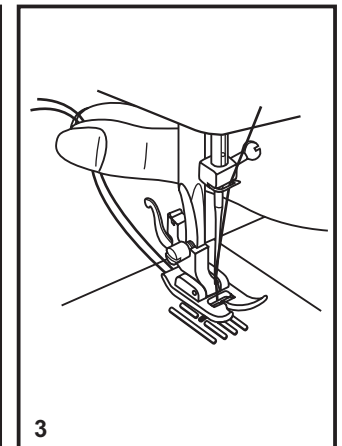
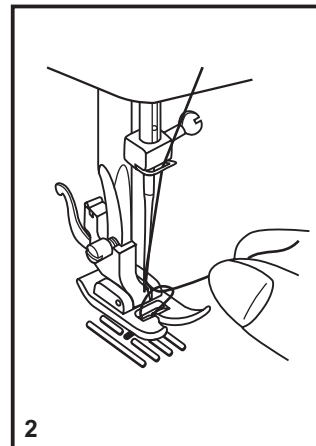
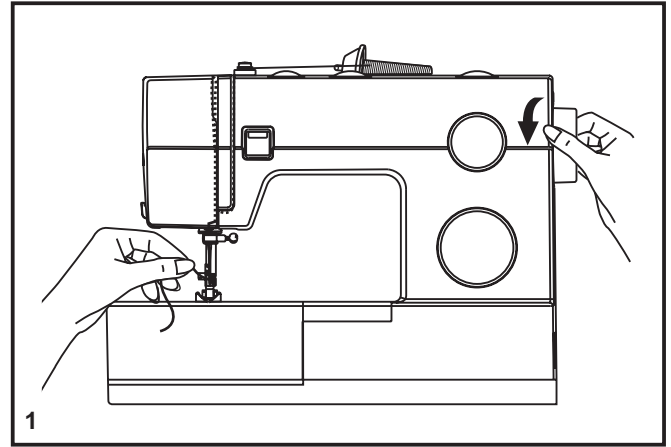
Hold the upper thread with the left hand. Turn the handwheel (1) towards you (counterclockwise) lowering, then raising needle.

Note:

If it is difficult to raise the bobbin thread, check to make sure the thread is not trapped by the hinged cover or the Removable Extension Table.

Gently pull on the upper thread to bring the bobbin thread up through the needle plate hole. (2)

Lay both threads to the back under the presser foot. (3)



□ Thread Tension

Upper thread tension

Basic thread tension setting: "4". (1)

To increase the tension, turn the dial to the next number up.

To reduce the tension, turn the dial to the next number down.

A. Normal thread tension for straight stitch sewing.

B. Thread tension too loose for straight stitch sewing. Turn dial to higher number.

C. Thread tension too tight for straight stitch sewing. Turn dial to lower number.

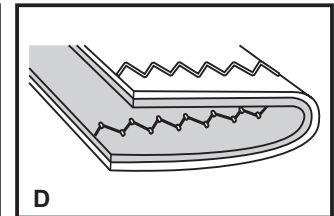
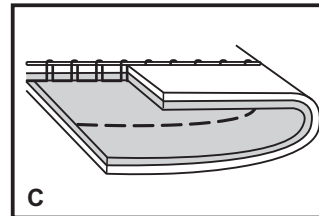
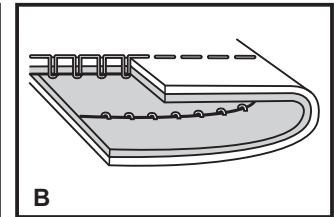
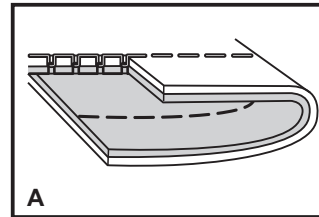
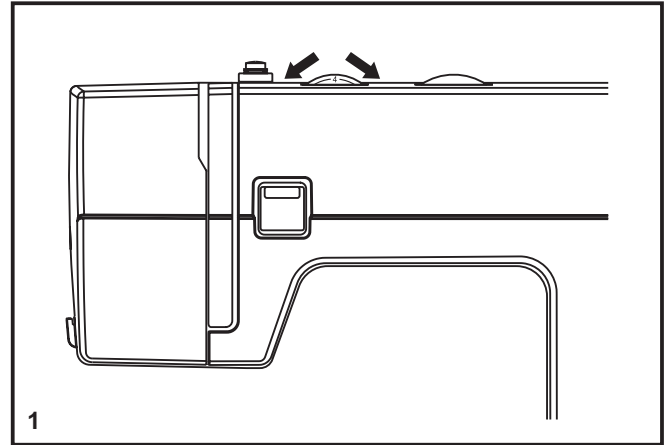
D. Normal thread tension for zig zag and decorative sewing.
Correct thread tension is when a small amount of the upper thread appears on the bottom side of fabric.

Lower thread tension

The bobbin tension has been set correctly at the factory, so you do not need to adjust it.

Please note:

- Proper tension setting is important for strong seams.
- There is no single tension setting appropriate for all stitch functions, thread or fabric.
- A balanced tension (identical stitches both top and bottom) is usually only desirable for straight stitch construction sewing.
- 90% of all sewing will be between "3" and "5".
- For zig zag and decorative sewing stitch functions, thread tension should generally be less than for straight stitch sewing.
- For all decorative sewing you will always obtain a nicer stitch and less fabric puckering when the upper thread appears on the bottom side of your fabric.

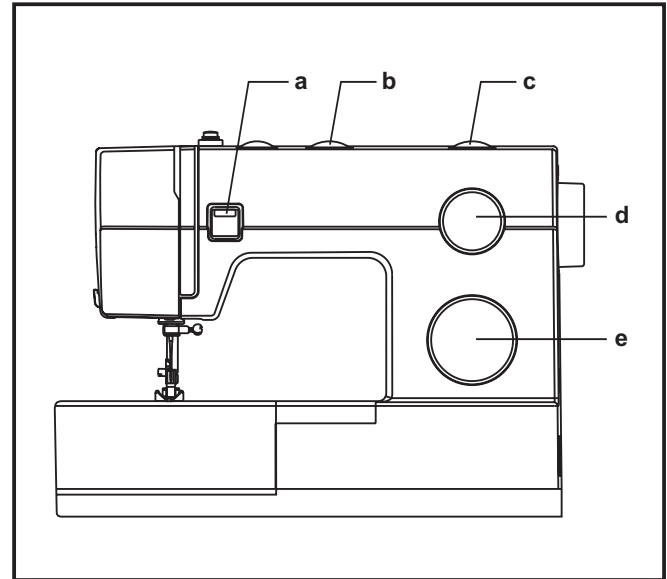


□ How to Choose Your Pattern

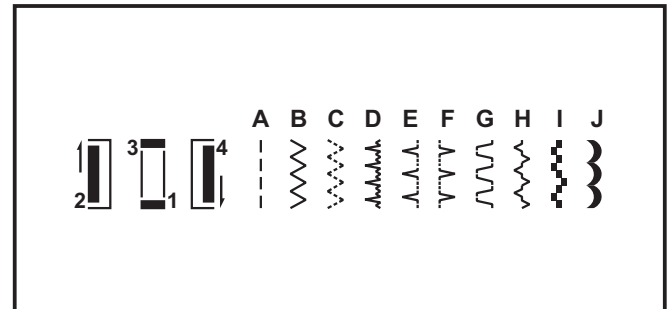
The diagram on this page display the stitch patterns available on the machine.

Turn the Pattern Selector Dial (e) to select the desired pattern. Use the Stitch Length Dial (d) to adjust the stitch length as desired for the project. Use the Stitch Width Dial (c) to adjust the width of the stitch as desired.

The Pattern Selector Dial may be turned in either direction.

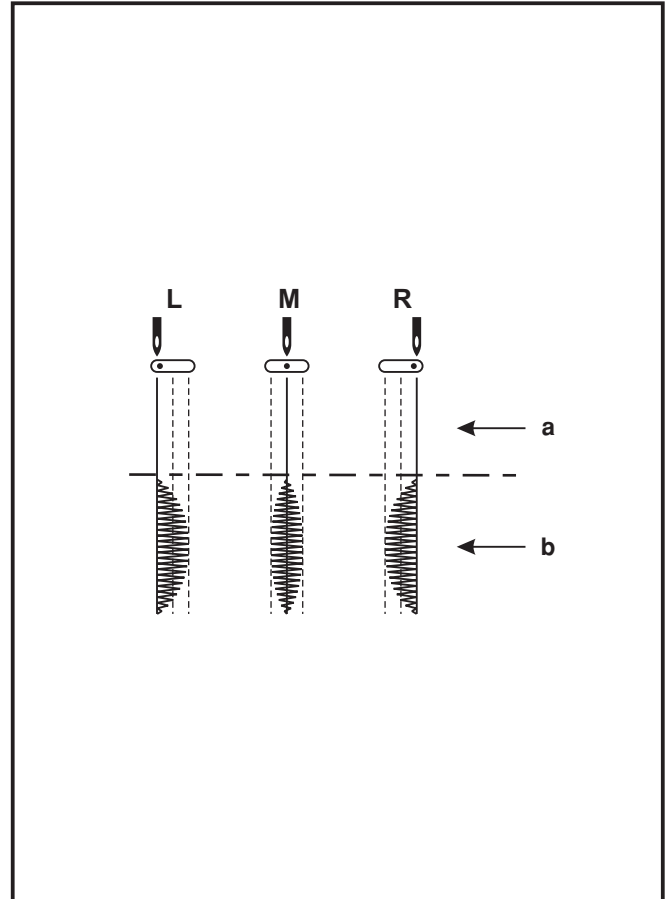


- a. Reverse Sewing Lever
- b. Three Needle Position Dial
- c. Stitch Width Dial
- d. Stitch Length Dial
- e. Pattern Selector Dial



□ Three Needle Position Dial

The needle position can be altered with the "Three needle position dial". For normal work, the needle position is middle. For edge stitching or sewing parallel lines of top stitch, select needle position left or right. For twin needle stitching, needle position is middle.



- a. Straight
- b. Zig-zag

- L. Left Needle Position
- M. Middle Needle Position
- R. Right Needle Position

□ **Stitch Width Dial & Stitch Length Dial**

Function of stitch width dial

The maximum zigzag stitch width for zigzag stitching is 5mm; however, the width can be reduced on any patterns. The width increases as you move zigzag dial from "0" - "6". (1)

The Stitch Width Dial is also the control for the straight stitch infinite needle position. "0" position is full left, "6" is full right and between "2" and "3" is center needle position.

Function of stitch length dial while zig-zag stitching

Set the Pattern Selector Dial to zig-zag.

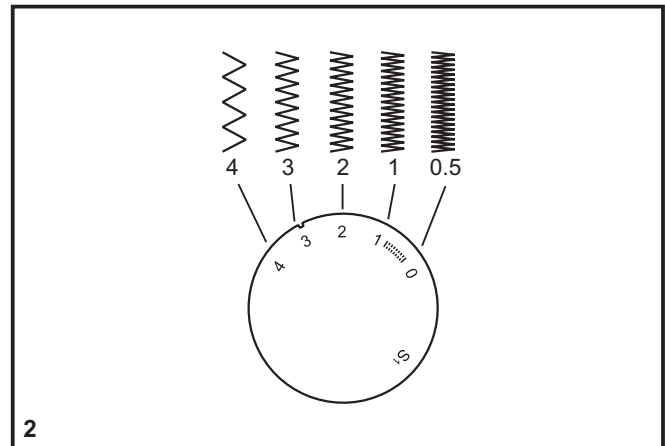
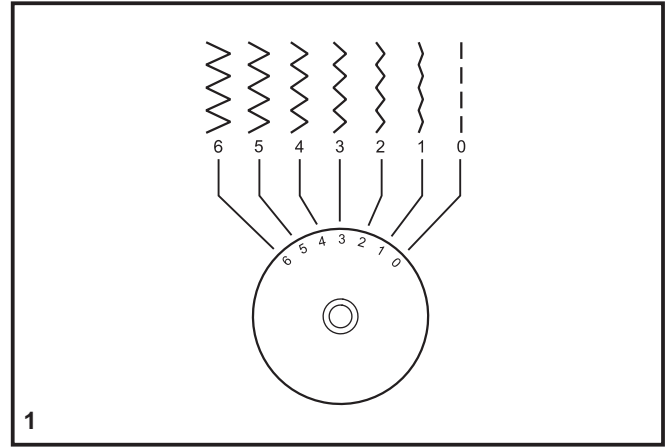
The density of zig-zag stitches increase as the setting of stitch length dial approaches "0".

Standard zigzag stitches are usually achieved at "3" or below. (2)

Dense zig-zag stitches are called satin stitches. (2)

Function of stitch length dial for when straight stitching

For straight stitch sewing, turn the Pattern Selector Dial to the straight stitch setting. Turn the Stitch Length Dial, and the length of the individual stitches will decrease as the dial approached "0". The length of the individual stitches will increase as the dial approaches "4". Generally speaking, use a longer stitch length when sewing heavier weight fabrics or when using a thicker needle or thread. Use a shorter stitch length when sewing lighter weight fabrics or when using a finer needle or thread.

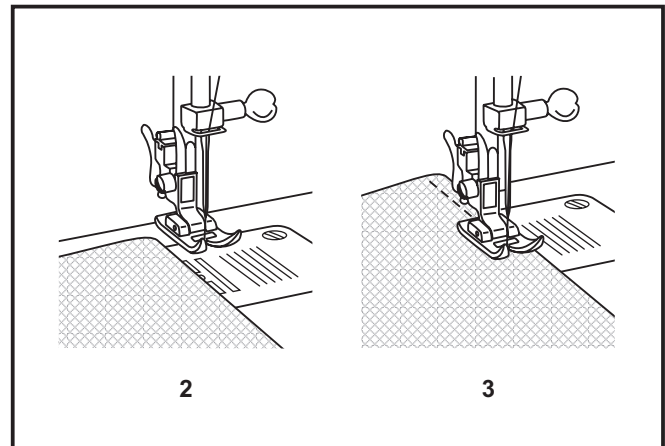
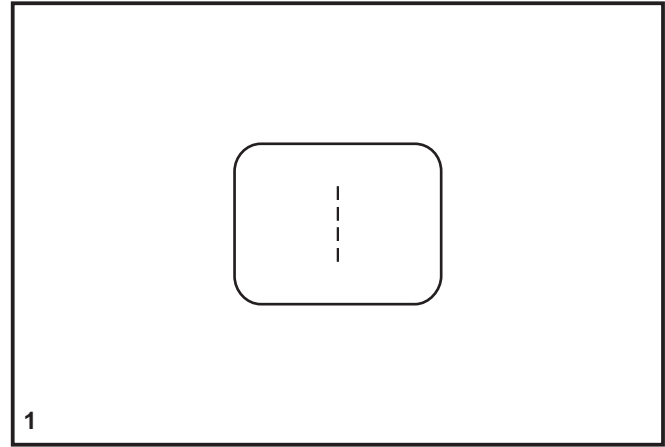


□ Sewing Straight Stitch

To begin sewing, set the machine for straight stitch. (1)

Place the fabric under the presser foot with the fabric edge lined up with the desired seam guide line on the needle plate. (2)

Lower the presser foot lifter, and then step on the foot controller to start sewing. (3)



Reverse Sewing

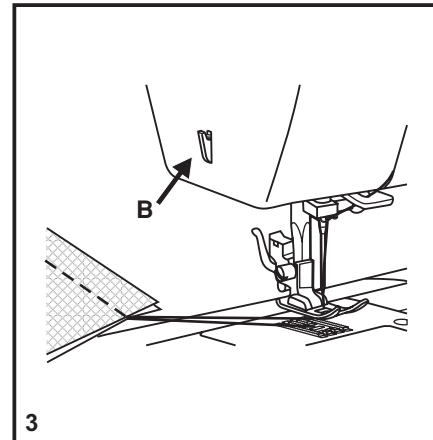
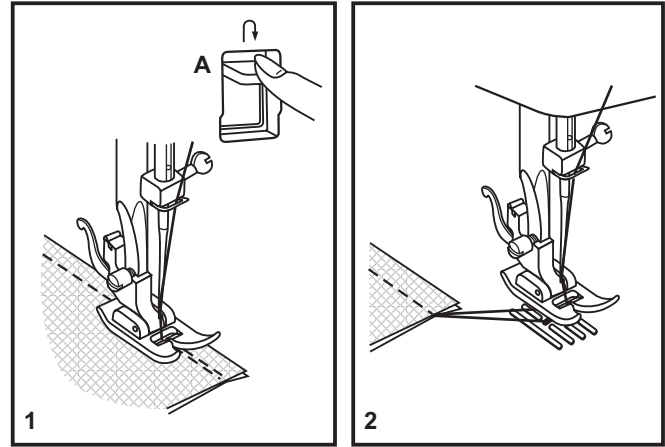
To secure the beginning and the end of a seam, press down the reverse sewing lever (A). Sew a few reverse stitches. Release the lever and the machine will sew forward again. (1)

Removing the Work

Turn the handwheel toward you (counterclockwise) to bring the thread take up lever to its highest position, raise the presser foot and remove work behind the needle and presser foot. (2)

Cutting the Thread

Pull the threads under and behind the presser foot. Guide the threads to the side of the face plate and into thread cutter (B). Pull threads down to cut. (3)



□ Blind Hem

For hems on curtains, trousers, skirts, etc.

..... Blind hem for stretch fabrics.

..... Blind hem for firm fabrics.

Set the Stitch Length Dial with the range shown on the diagram at the right. Blind hems, however, are normally sewn with a longer stitch length setting. Set the Stitch Width Dial at a setting appropriate for the weight/type of fabric being sewn, within the range shown in the diagram on the right of the page. Generally, a narrower stitch is used for lighter weight fabrics, and a wider stitch is used for heavier weight fabrics. Sew a test first to make sure the machine settings are appropriate for the fabric.

Blind Hem:

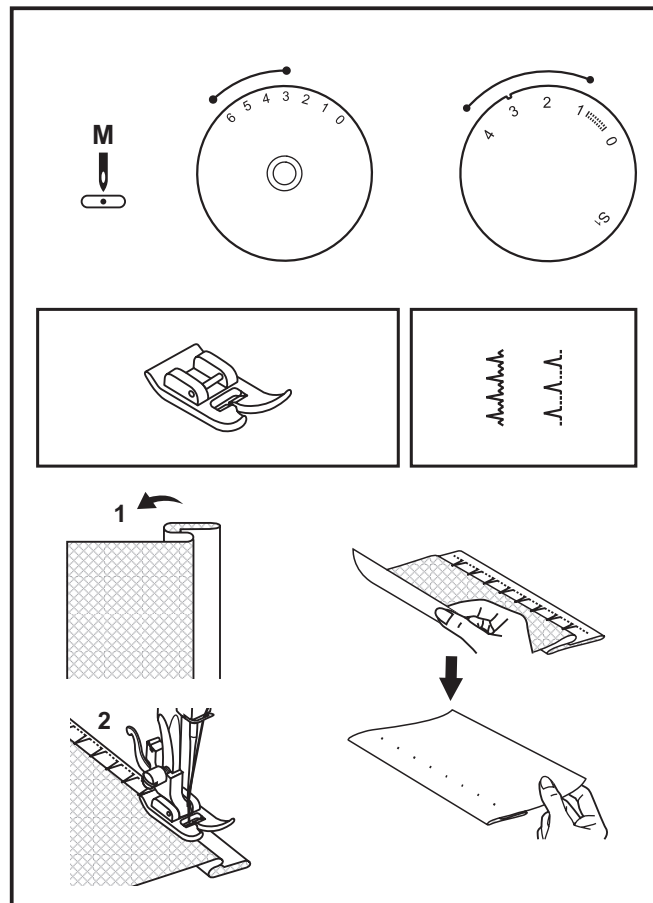
Turn up the hem to the desired width and press. Fold back (as shown in Fig. 1) against the right side of the fabric with the top edge of the hem extending about 7 mm (1/4") to the right side of the folded fabric.

Start to sew slowly on the fold, making sure the needle touches slightly the folded top to catch one or two fabric threads. (2)

Unfold the fabric when hemming is completed and press.

Note:

To make blind hem sewing even easier, use a blind hem foot, available from your SINGER® retailer. (See page 6 for part number)



□ Buttonholes

Prepare

1. Take off the all purpose foot and attach the buttonhole foot.
2. Measure diameter and thickness of button and add 0.3 cm (1/8") for bar tacks to obtain correct buttonhole length; mark buttonhole length on fabric (a).
3. Place fabric under the foot, so that marking on the buttonhole foot aligns with starting marking on fabric. Lower the foot, so that the buttonhole center line marked on the fabric aligns with the center of the buttonhole foot (b).

Adjust the Stitch Length Dial in the " " to set stitch density. Set the stitch width at "6". The width however may need to be adjusted according to the project, sew a test first to determine this.

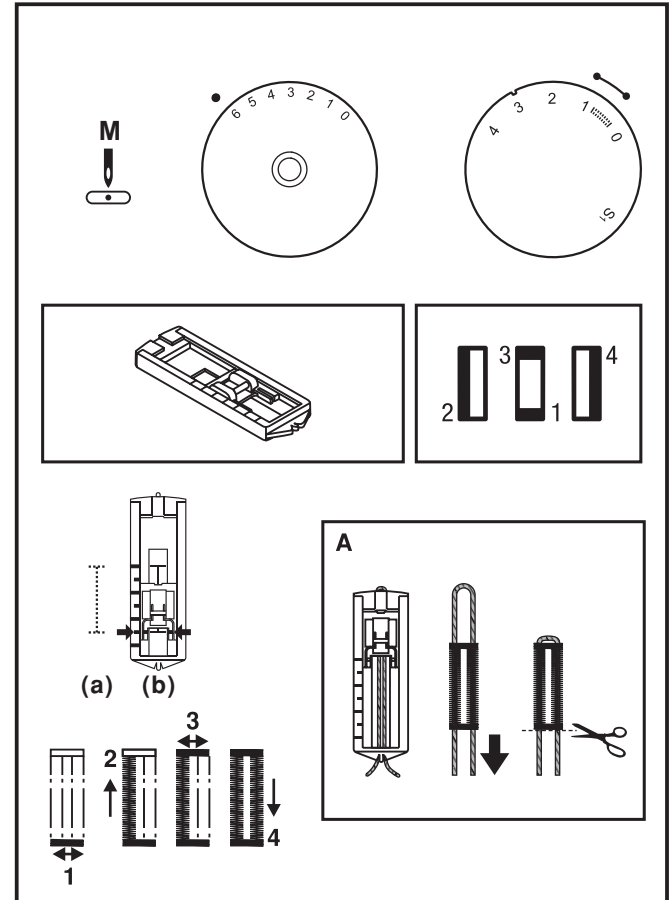
Note:

Density varies according to the fabric.
Always test sew a buttonhole on the fabric you are using to sew the buttonhole.

Follow the 4-step sequence changing from one step to another with the Pattern Selector Dial. When moving from step to step through the buttonhole process, be sure that the needle is raised before turning the Pattern Selector Dial to the next step. Take care not to sew too many stitches in steps 1 and 3. Use seam ripper and cut buttonhole open from both ends towards the middle.

Tips:

- Slightly reducing upper thread tension will produce better results.
- Use a stabilizer for fine or stretchy fabrics.
- It is advisable to use heavy thread or cord for stretch or knit fabrics. The zig-zag should sew over the heavy thread or cord. (A)



□ Left and Right Side Balance for Buttonhole

Stitch density on right and left sides of buttonhole can be adjusted by buttonhole balance control dial.

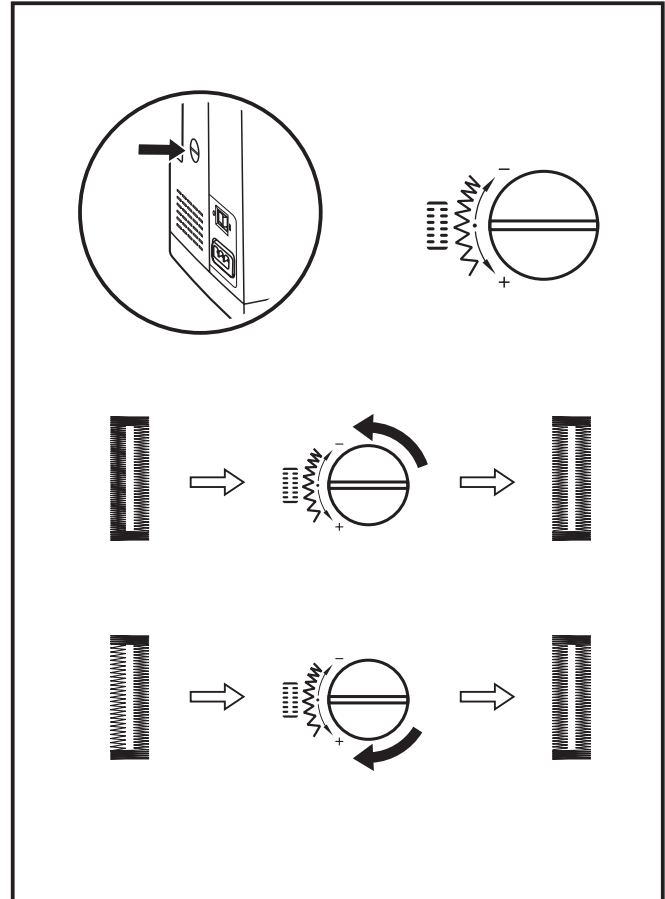
This dial should usually be in a neutral position (between "+" and "-")

If the stitches on the left side of buttonhole are too close together, turn the dial to the left (+).

* Turning dial to the left opens left side.

If the stitches on the left side of the buttonhole are too open, turn the dial to the right (-).

* Turning dial to right closes left side.



□ Sewing on Buttons

Move the drop feed control to right side to lower the feed dogs. (1)

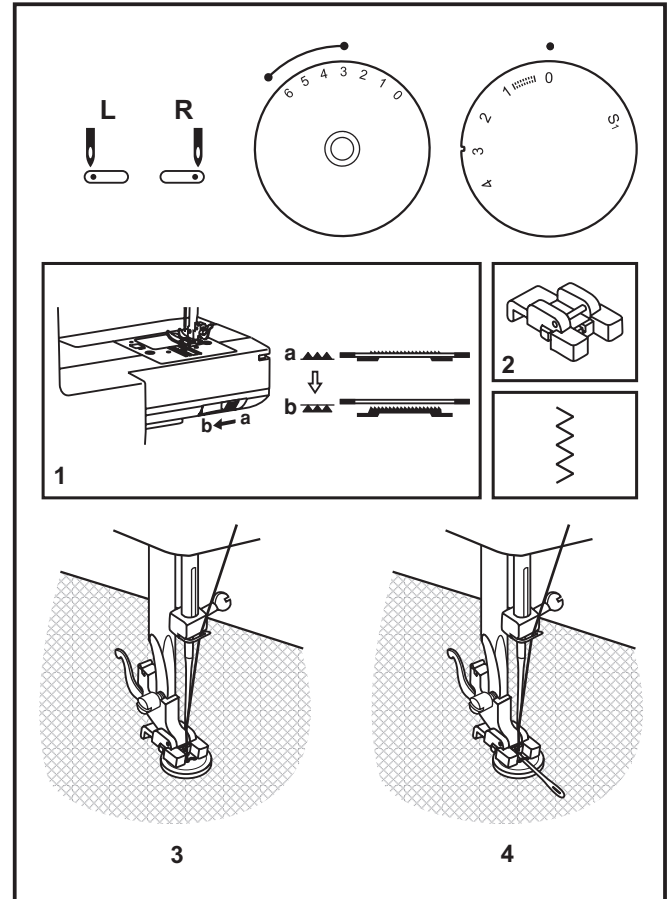
Change the all purpose foot to the button sewing foot. (2)
Set the stitch length to "0".

Place the button and fabric under the Button Sewing foot, as illustrated in (3).

Set the machine for zig-zag stitch, then set the width to number "3" - "6". Turn the handwheel to check that the needle goes cleanly into the left and right holes of the button. Adjust the stitch width, as needed, according to the distance between the holes of the button. Slowly sew on the button with about 10 stitches.

Raise the needle out of the fabric. Set the machine for straight stitch again, then sew a few securing stitches to finish.

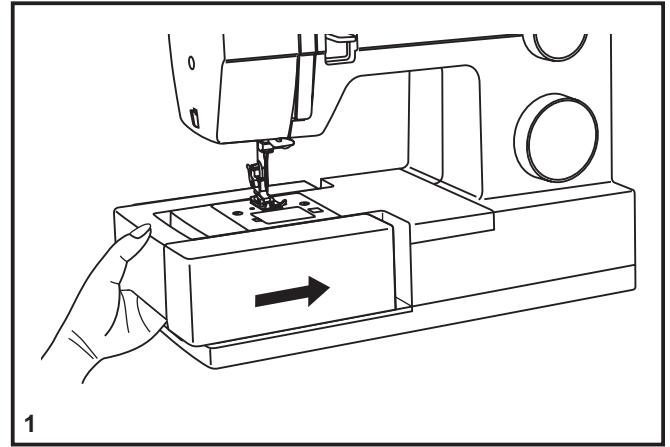
If a shank is required, place a darning needle on top of the button and sew. For buttons with 4 holes, sew through the front two holes first, push the work forward and then sew through the back two holes.



□ Installing the Removable Extension Table

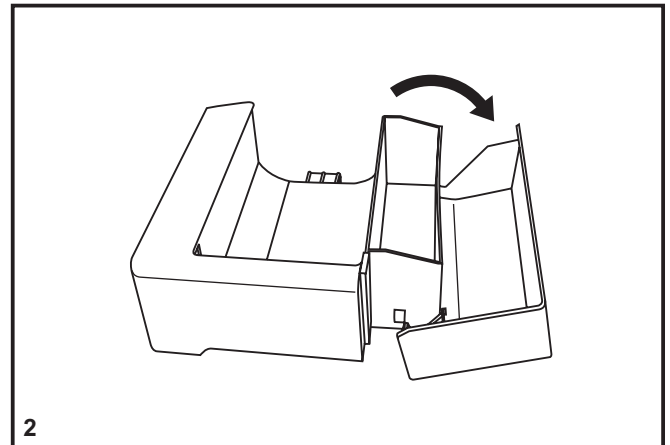
Hold the removable extension table horizontally, and push it in the direction of the arrow. (1)

To remove the extension table, pull it toward the left.



The inside of the removable extension table can be utilized as an accessory box.

To open, flip cover down as shown. (2)



□ Attaching the Presser Foot Shank

Raise the presser bar (a) with the presser foot lifter. Attach the presser foot shank (b) as illustrated. (1)

Attaching the presser foot

Lower the presser foot shank (b) using the presser foot lifter, until the cut-out (c) is directly above the pin (d). (2) The presser foot (f) will engage automatically.

Removing the presser foot

Raise the presser foot using the presser foot lifter. (3)

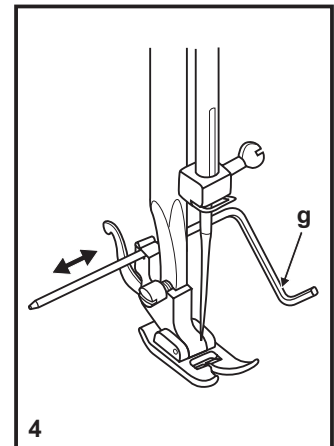
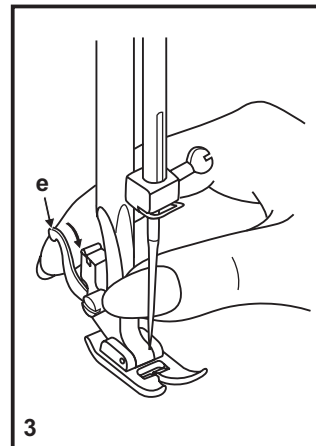
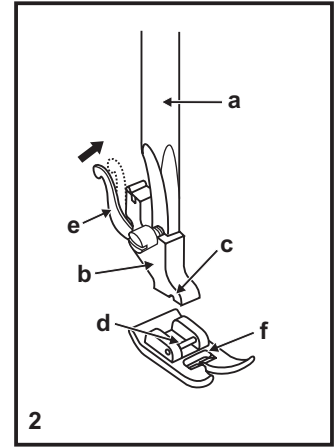
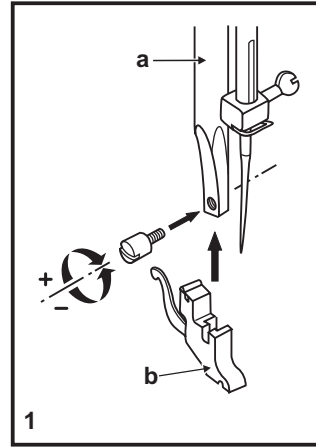
Raise the lever (e) and the foot disengages.

Attaching the edge/ quilting guide

Attach the edge/ quilting guide (g) in the slot as illustrated. Adjust as needed for hems, pleats, quilting, etc. (4)

Attention:

Turn power switch to off ("O") when carrying out any of the above operations!



☐ Needle/ Fabric/ Thread Chart

NEEDLE, FABRIC, THREAD SELECTION GUIDE

NEEDLE SIZE	FABRICS	THREAD
9-11 (70-80)	Lightweight fabrics-thin cottons, voile, silk, muslin, interlocks, cotton knits, tricots, jerseys, crepes, woven polyester, shirt & blouse fabrics.	Light-duty thread in cotton, nylon, polyester or cotton wrapped polyester.
11-14 (80-90)	Medium weight fabrics-cotton, satin, kettlecloth, sailcloth, double knits, lightweight woolens.	Most threads sold are medium size and suitable for these fabrics and needle sizes. Use polyester threads on synthetic materials and cotton on natural woven fabrics for best results. Always use the same thread on top and bottom.
14 (90)	Medium weight fabrics-cotton duck, woolen, heavier knits, terrycloth, denims.	
16 (100)	Heavyweight fabrics-canvas, woolens, outdoor tent and quilted fabrics, denims, upholstery material (light to medium).	
18 (110)	Heavy woolen, overcoat fabrics, upholstery fabrics, some leathers and vinyls.	Heavy duty thread, carpet thread.

IMPORTANT: Match needle size to thread size and weight of fabric.

NEEDLE, FABRIC SELECTION

NEEDLES	EXPLANATION	TYPE OF FABRIC
SINGER® 2020	Standard sharp needles. Sizes range thin to large. 9 (70) to 18 (110).	Natural woven fabrics-wool, cotton, silk, etc. Not recommended for double knits.
SINGER® 2045	Semi-ball point needle, scarfed. 9 (70) to 18 (110).	Natural and synthetic woven fabrics, polyester blends. Knits-polyesters, interlocks, tricot, single and double knits. Also sweater knits, Lycra®, swimsuit fabric, elastic.
SINGER® 2032	Leather needles. 12 (80) to 18 (110).	Leather, vinyl, upholstery. (Leaves smaller hole than standard large needle.)

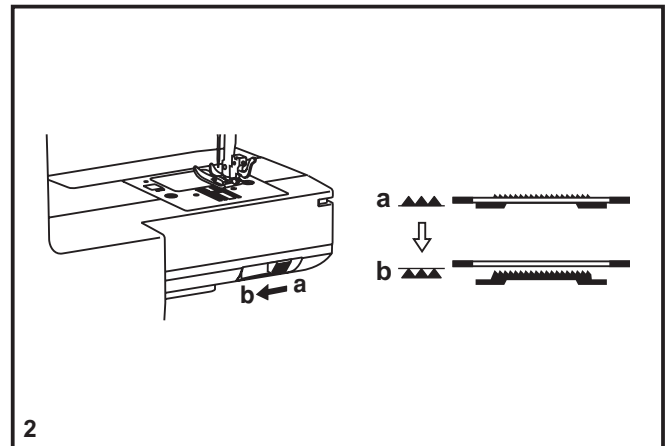
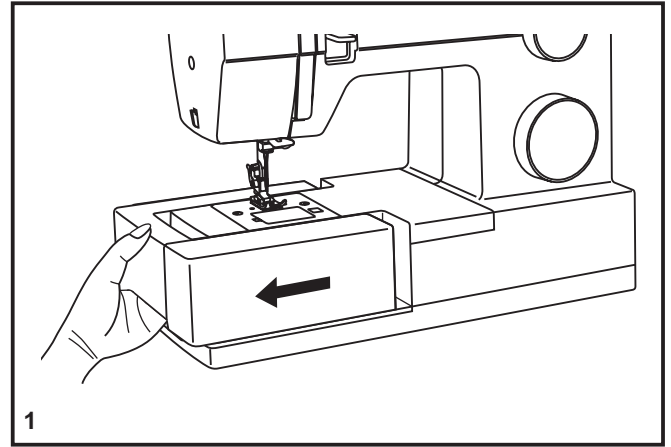
Note :

1. For best sewing results always use genuine SINGER® needles.
2. Replace needle often (approximately every other garment) and/ or at first thread breakage or skipped stitches.

□ How To Drop Feed Dog

For ordinary sewing, keep the feed dog up, for freehand embroidery, sewing on buttons and darning, drop the feed dog.

To raise (a) and lower (b) feed dog. (2)



□ Inserting & Changing Needles

Change the needle regularly, especially if it is showing signs of wear and causing problems. For best sewing results always use SINGER® Brand Needles.

Insert the needle as illustrated as follows:

- A. Loosen the needle clamp screw and tighten again after inserting the new needle. (1)
- B. The flat side of the shaft should be towards the back.
- C/D. Insert the needle as far as it will go.

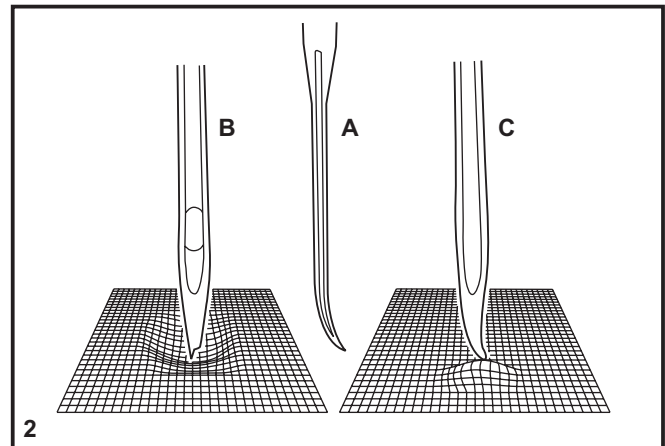
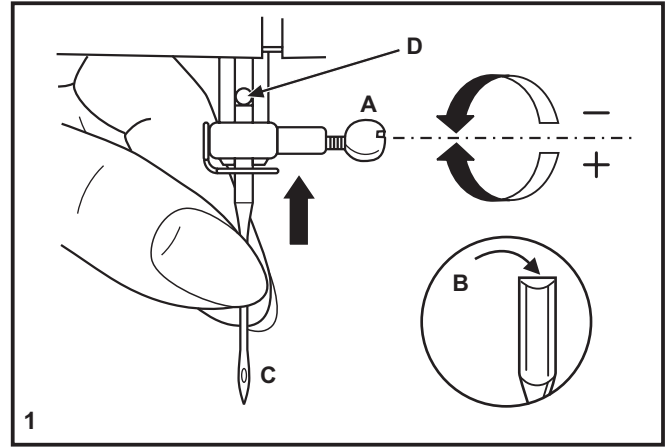
Attention:

Turn power switch to off ("O") before inserting or removing the needle.

Needles must be in perfect condition. (2)

Problems can occur with:

- A. Bent needles
- B. Damaged points
- C. Blunt needles



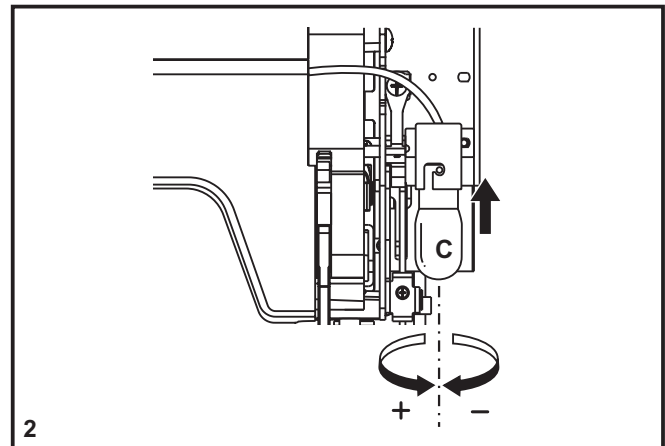
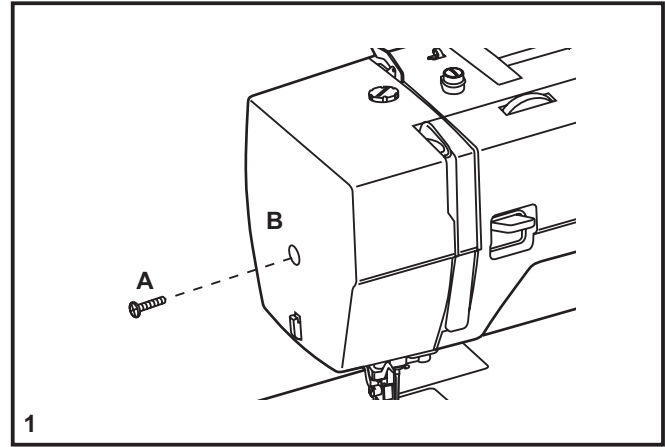
□ Changing the Bulb

Disconnect the machine from the power supply by removing the plug from the main socket!

Replace bulb with same type rated 15 watts (110-120V area / 220-240V area).

- Loosen screw (A) as illustrated. (1)
- Remove the face plate (B).
- Unscrew the bulb and install a new one (C). (2)
- Replace the face plate and tighten screw.

Should there be any problem, consult your SINGER® retailer.



□ Troubleshooting Guide

Problem	Cause	Correction
Upper thread breaks	<ol style="list-style-type: none">1. The machine is not threaded correctly.2. The thread tension is too tight.3. The thread is too thick for the needle.4. The needle is not inserted correctly.5. The thread is wound around the spool holder pin.6. The needle is damaged.	<ol style="list-style-type: none">1. Rethread the machine.2. Reduce the thread tension. (lower number)3. Select a larger needle.4. Remove and reinsert the needle. (flat side towards the back)5. Remove the reel and wind thread onto reel.6. Replace the needle.
Lower thread breaks	<ol style="list-style-type: none">1. The bobbin case is not inserted correctly.2. The bobbin case is threaded wrong.3. The lower thread tension is too tight.	<ol style="list-style-type: none">1. Remove and reinsert the bobbin case and pull on the thread. The thread should pull easily.2. Check both bobbin and bobbin case.3. Loosen lower thread tension as described.
Skipped stitches	<ol style="list-style-type: none">1. The needle is not inserted correctly.2. The needle is damaged.3. The wrong size needle has been used.4. The foot is not attached correctly.	<ol style="list-style-type: none">1. Remove and reinsert needle. (flat side towards the back)2. Insert a new needle.3. Choose a needle to suit the thread and fabric.4. Check and attach correctly.
Needle breaks	<ol style="list-style-type: none">1. The needle is damaged.2. The needle is not correctly inserted.3. Wrong needle size for the fabric.4. The wrong foot is attached.	<ol style="list-style-type: none">1. Insert a new needle.2. Insert the needle correctly. (flat side towards the back)3. Choose a needle to suit the thread and fabric.4. Select the correct foot.
Loose stitches	<ol style="list-style-type: none">1. The machine is not correctly threaded.2. The bobbin case is not correctly threaded.3. Needle/ fabric/ thread combination is wrong.4. Thread tension wrong.	<ol style="list-style-type: none">1. Check the threading.2. Thread the bobbin case as illustrated.3. The needle size must suit the fabric and thread.4. Correct the thread tension.
Seams gather or pucker	<ol style="list-style-type: none">1. The needle is too thick for the fabric.2. The stitch length is adjusted wrong.3. The thread tension is too tight.	<ol style="list-style-type: none">1. Select a finer needle.2. Readjust the stitch length.3. Loosen the thread tension.
Uneven stitches, uneven feed	<ol style="list-style-type: none">1. Poor quality thread.2. The bobbin case is threaded wrong.3. Fabric has been pulled.	<ol style="list-style-type: none">1. Select a better quality thread.2. Remove bobbin case, thread and insert correctly.3. Do not pull on the fabric while sewing, let the feed dogs pull the fabric under the foot.
The machine is noisy	<ol style="list-style-type: none">1. Lint or oil have collected on the hook or needle bar.2. The needle is damaged.	<ol style="list-style-type: none">1. Clean the hook and feed dog as described.2. Replace the needle.
The machine jams	Thread is caught in the hook.	Remove the upper thread and bobbin case, turn the handwheel backwards and forwards by hand and remove the thread.

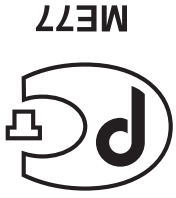


Please note that on disposal, this product must be safely recycled in accordance with relevant National legislation relating to electrical/electronic products. If in doubt please contact your retailer for guidance.





При подключении этого продукта необходимо внимательно ознакомиться с правилами по технике безопасности, в соответствии с действующим законодательством в вашей стране. Пожалуйста, учтите, что по окончании срока службы этот продукт должен быть утилизирован в соответствии с действующим Национальным законодательством, установленным для электрических приборов.



□ Неполадки и их устранение

Проблема	Причина	Устранение
Орыв верхней нити	<ol style="list-style-type: none"> 1. Нить неправильно заправлена 2. Очень сильное натяжение верхней нити 3. Нить слишком толстая для иглы 4. Игла установлена неверно 5. Нить обмоталась вокруг держателя катушки 6. Повреждена игла 	<ol style="list-style-type: none"> 1. Заново заправьте нить 3. Ослабьте натяжение верхней нити 2. Используйте иглу большего размера 4. Правильно установите иглу (плоской стороной назад) 5. Размотайте нить 6. Замените иглу на новую
Орыв нижней нити	<ol style="list-style-type: none"> 1. Шпулька установлена неправильно 2. Неправильно заправлена нижняя нить 3. Слишком сильное натяжение нижней нити 	<ol style="list-style-type: none"> 1. Достаньте и снова установите шпульку, заправьте нить 2. Заправьте нижнюю нить 3. Ослабьте натяжение нижней нити
Нечеткий шов	<ol style="list-style-type: none"> 1. Неправильно установлена игла 2. Игла повреждена 3. Несответствующий размер иглы 4. Установлена неподходящая лапка 	<ol style="list-style-type: none"> 1. Правильно установите иглу плоской стороной назад 2. Установите новую иглу 3. Установите иглу, соответствующую типу ткани и нити 4. Установите подходящую лапку
Поломка иглы	<ol style="list-style-type: none"> 1. Тянете ткань во время шитья 2. Неправильно установлена игла 3. Несответствующий размер иглы 4. Установлена неподходящая лапка 	<ol style="list-style-type: none"> 1. Непряз тянуть или подталкивать ткань во время шитья 2. Правильно установите иглу плоской стороной назад 3. Установите иглу, соответствующую типу ткани и нити 4. Установите подходящую лапку
Пропуск стежков	<ol style="list-style-type: none"> 1. Верхняя нить неправильно заправлена 2. Нижняя нить неправильно заправлена 3. Несответствующий размер иглы 4. Неправильное натяжение нити 	<ol style="list-style-type: none"> 1. Правильно заправьте верхнюю нить 2. Правильно заправьте нижнюю нить 3. Установите иглу, соответствующую типу ткани и нити 4. Установите правильное натяжение
Швы стягиваются или сморщиваются	<ol style="list-style-type: none"> 1. Игла слишком толстая для выбранной ткани 2. Длина стежка выбрана неверно 3. Очень сильное натяжение нити 	<ol style="list-style-type: none"> 1. Установите тонкую иглу 2. Измените длину стежка 3. Ослабьте натяжение нити
Неровные стежки, неравномерное продвижение	<ol style="list-style-type: none"> 1. Плохое качество ниток 2. Неправильно заправлена нижняя нить 3. Тянете ткань во время шитья 	<ol style="list-style-type: none"> 1. Используйте нити хорошего качества 2. Выньте и заново установите шпульку, заправив нижнюю нить 3. Не пряз тянуть или подталкивать ткань во время шитья, машина продвигает ткань самостоятельно
Машина шумно работает	<ol style="list-style-type: none"> 1. В челночном механизме скопилось много ворса и пыли 2. Повреждена игла 	<ol style="list-style-type: none"> 1. Почистите челночный механизм и зубцы транспортера как описано. 2. Замените иглу
Тяжелый ход машины	<p>Запутывание нити в челноке</p> <p>Удалите верхнюю нить и достаньте шпульку. Поверните ручную маховое колесо на себя и от себя, достаньте остатки ниток и ворса.</p>	

□ Замена лампочки

Отключите машину от сети электропитания, вынул сетевой шнур из розетки!

Используйте лампочки такого же типа 10W (110-120V) или 15W (220-240V).

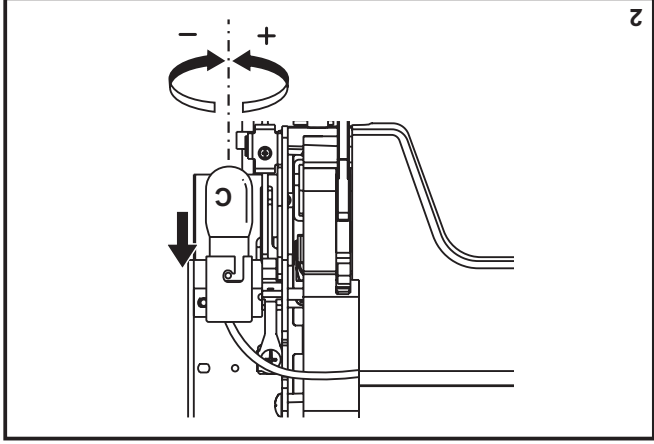
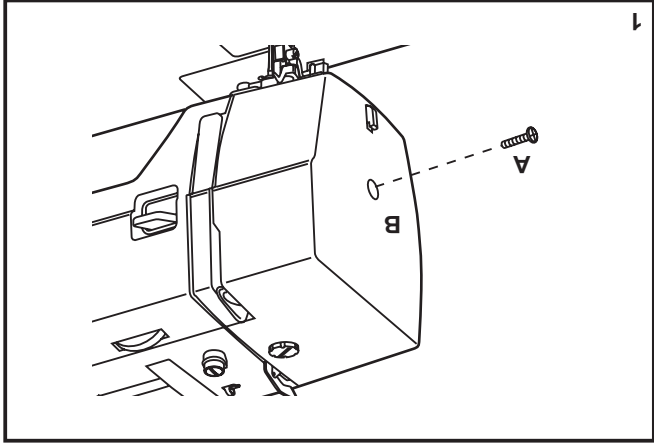
- Выкрутите винт (A) как показано на рисунке (1).

- Снимите крышку корпуса (B).

- Выкрутите лампочку и вставьте новую (C). (2)

- Поставьте крышку корпуса на место и вкрутите винт.

В случае возникновения проблем, обратитесь в местный сервисный центр.



Установка и смена иглы

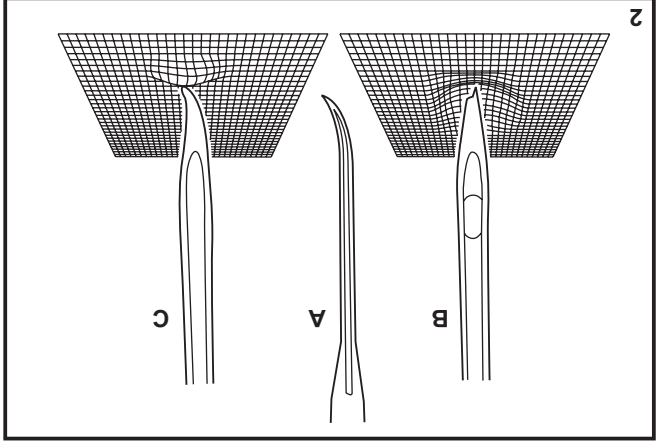
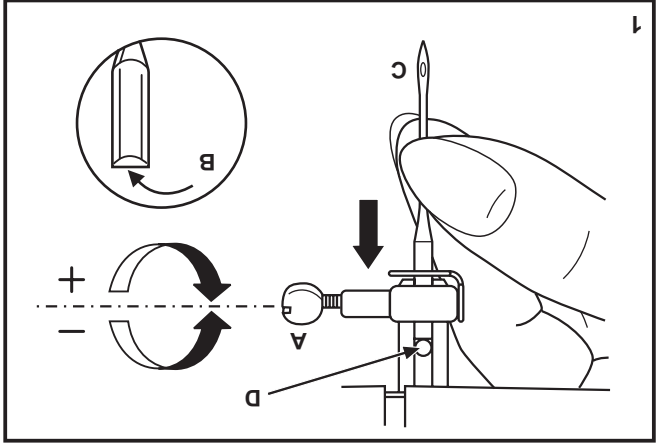
Меняйте иглы регулярно после шитья каждого проекта или при возникновении каких-либо проблем.
Используйте иглы SINGER® для лучшего качества шитья.
Вставьте иглу, как показано на рисунке.

A. Ослабьте винт иглы и затем затяните его снова, после того, как вставите новую иглу (1).
B. Плоская сторона иглы должна быть направлена от вас.
C/D. Вставьте иглу вверх до упора.

Внимание:

Всегда выключайте машину "O" перед заменой иглы.

Иглы должны быть в исправном состоянии (2).
Неисправности иглы:
A. Игла изогнута
B. Повреждено острие
C. Игла затупилась



□ Как опустить зубцы транспортера

Для шитья в обычном режиме, нужно, чтобы зубцы транспортера были подняты. Для вышивания в технике «свободного передвижения», пришивая пуговиц или штюпки опустите зубцы.

Чтобы поднять (а) и опустить (б) зубцы транспортера. (2)

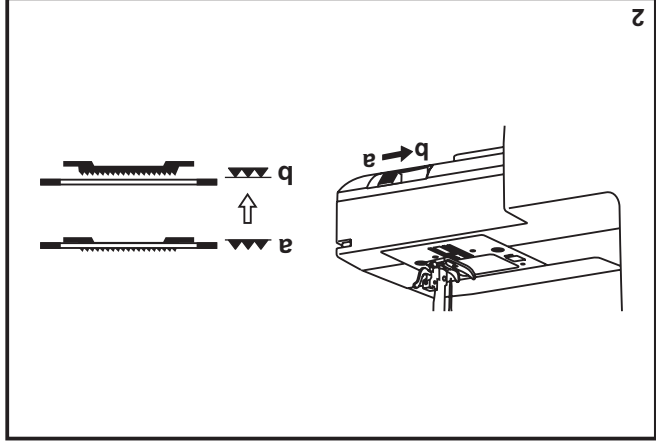
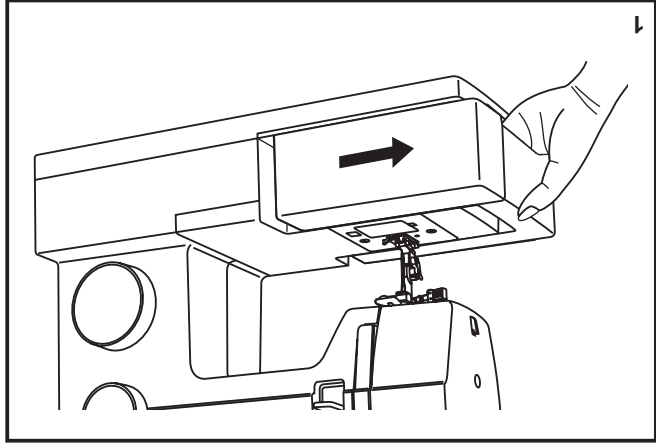


Таблица соответствия типов Иглы/Ткани/Нитей

Руководство по выбору ткани, нитей, игл

Размер иглы	Ткани	Нити
9-11 (70-80)	Легкие ткани- хлопок, вуаль, сатжа, шелк, муслин, органза, легкий трикотаж, джерси, креп, полиэстр, бязьочные ткани.	Тонкая нить - хлопковая, нейлоновая, полиэстровая или армированная хлопок полиэстр.
11-14 (80-90)	Ткани средней плотности - хлопок, сатин, парусина, двойной трикотаж, махровая ткань, джинса.	Большинство продаваемых типов нитей применимы для этих видов тканей и игл.
14 (90)	Ткани средней плотности - хлопковое грубое поперитно, парусина, шерсть, плотная вязаная ткань, махровая ткань, джинса.	Используйте полиэстровые или синтетические нити и нити x/6 для тканей натуральной плетения для получения наилучшего результата.
16 (100)	Среднеплотные ткани - брезент, шерсть, стальные издeltия, джинса, обивочные ткани (легкие и средние).	Всегда используйте верхнюю и нижнюю нити одного размера и качества.
18 (110)	Плотная шерсть, ткань для пальто, обивочные ткани, некоторые виды кожи и винил.	Плотная нить, штопальная нить.

ВАЖНО: Соотношение размера иглы к размеру нити и плотности ткани.

ВЫБОР ТКАНИ И ИГЛЫ

Иглы	Пояснение	Вид ткани
SINGER® 2020	Стандартные острые иглы. Размерный ряд от тонких к толстым. 9 (70) до 18 (110).	Натуральные ткани - шерсть, хлопок, шелк и т.д. Не рекомендуется для трикотажа двойной вязки.
SINGER® 2045	Иглы с закругленным острием 9 (70) до 18 (110).	Натуральные и синтетические ткани, полиэстр, одинарные и двойные трикотаж.
SINGER® 2032	Двойные иглы. Иглы для кожи 12 (80) до 18(110)	Кожа, винил, обивочные ткани. (Следы проколов на ткани меньше, чем после использования стандартных игл).

Важно:

1. Для получения наилучших результатов всегда используйте подлинные иглы SINGER®.
 2. Часто меняйте иглы (примерно после каждого проекта) или при обрыве нитей и пропуске стежков).

□ Установка держателя лапки

Поднимите держатель лапки (а).
Наденьте держатель прижимной лапки (b), как показано на рисунке (1).

Установка прижимной лапки

Опустите держатель прижимной лапки (b), пока выемка (c) не совпадет с осью (d). (2) Опустите держатель прижимной лапки и лапка (f) автоматически присоединится.

Снятие прижимной лапки

Поднимите прижимную лапку (3).

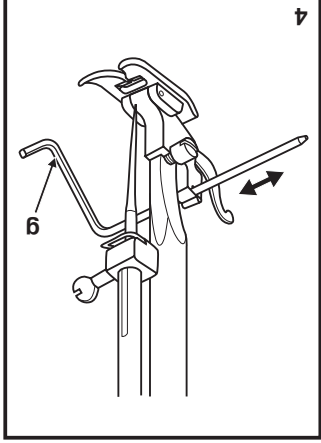
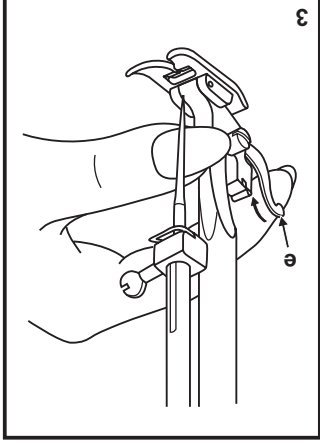
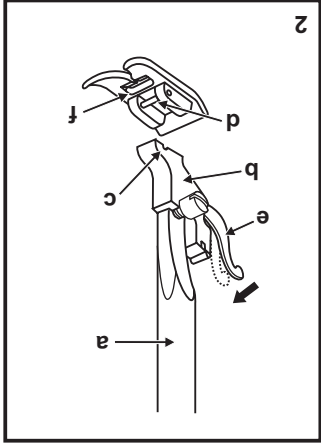
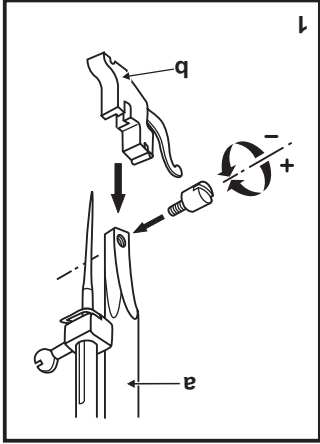
Поднимите рычаг (e) и лапка отсоединится.

Подсоединение направляющей линейки для краеобметочного/стегального шва

Введите направляющую линейку для краеобметочного/стегального шва (g) в отверстие, как показано на рисунке (4).

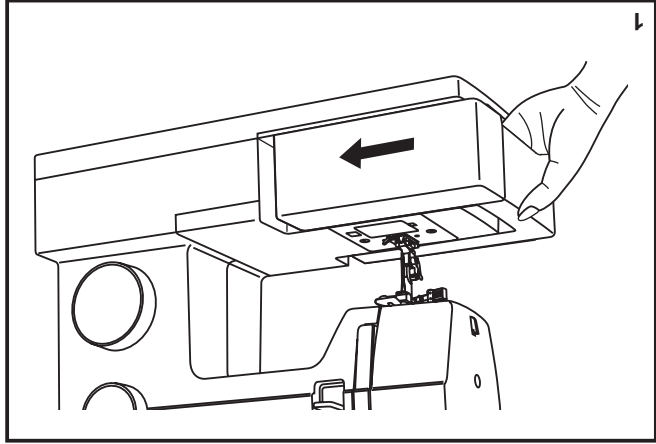
Настройте в соответствии с кромкой, каймой, складками или др.

Внимание:
Локализиста, выключайте машину ("O") во время выполнения вышеуказанных операций!



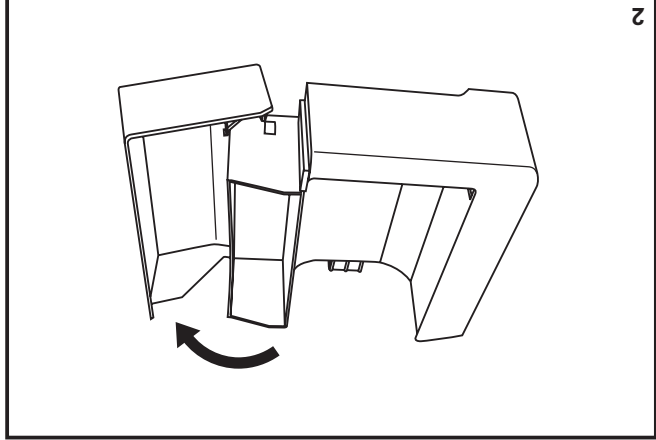
Установка съемной рабочей поверхности

Держите съемную рабочую поверхность горизонтально и задвигайте ее по направлению стрелок (1).



Внутренняя часть съемной рабочей поверхности может использоваться для хранения аксессуаров.

Откройте крышку съемного отсека как показано на рисунке (2).



□ Пришивание пуговицы

Переведите рычаг, регулирующий положение зубцов транспортера, вправо, чтобы опустить зубцы. (1)

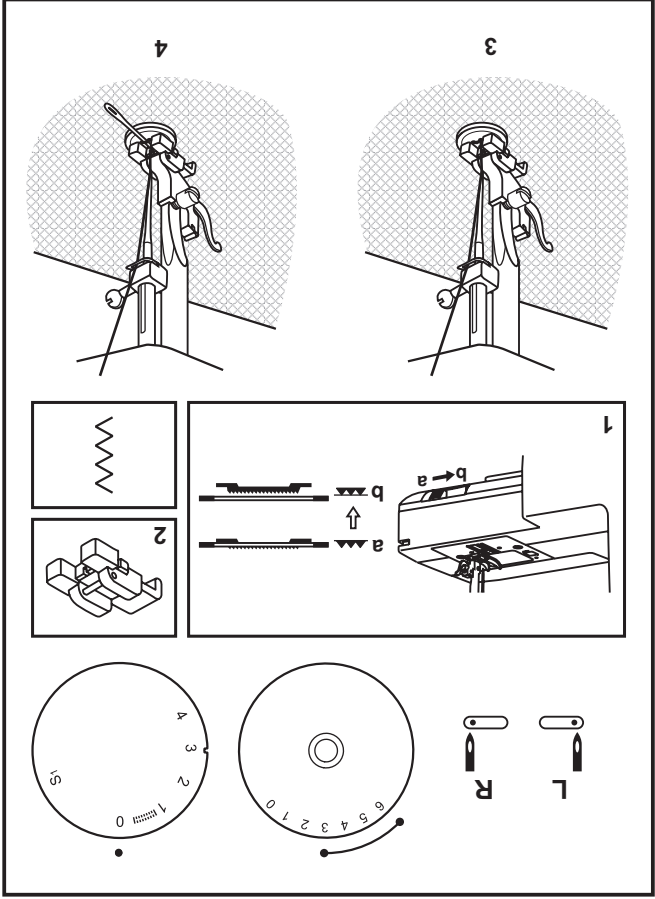
Смените универсальную лапку на лапку для пришивания пуговицы (2).
Установите длину стежка "0".

Расположите пуговицу и ткань под лапкой для пришивания пуговиц как показано на рисунке (3).

Установите ширину строчки "3" - "6". Поверните маховое колесо на себя, чтобы проверить, насколько точно игла входит в отверстие на пуговице. Если необходимо, настройте ширину стежка, ориентируясь на расстояние между отверстиями на пуговице. Медленно сделайте 10 стежков.

Поднимите иглу, чтобы она вышла из ткани. Переключите машинку на прямую строчку и сделайте несколько стежков для закрепки.

Если вы хотите сделать пуговицу на "ножке", положите штапальную толстую иглу поверх пуговицы. Для пуговиц с четырьмя отверстиями, пришлите сначала пуговицу через два отверстия, затем сдвиньте изделие и пришлите

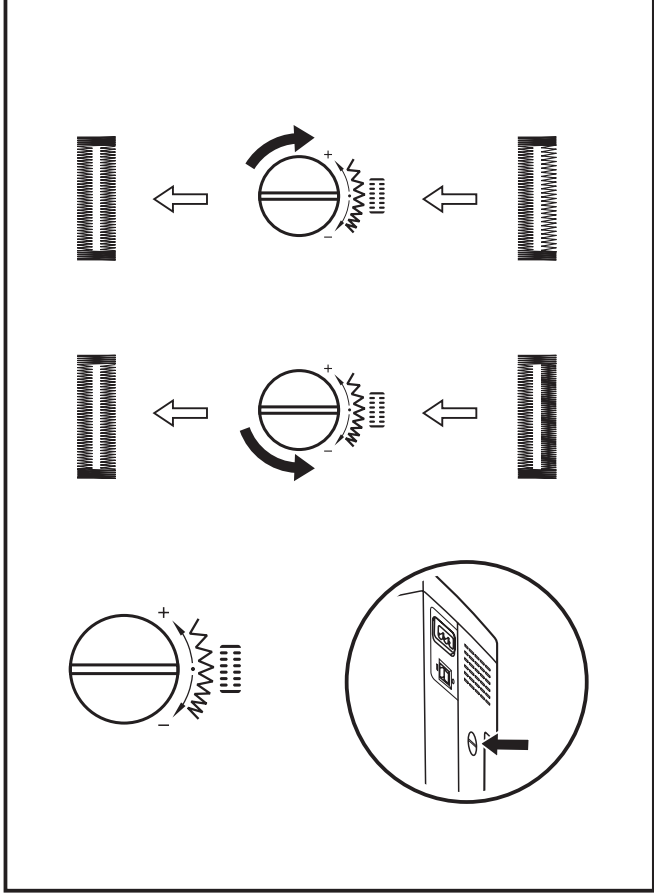


Баланс правой и левой сторон петли

Вы можете сбалансировать плотность застила правой и левой сторон петли с помощью Регулятора баланса петли. Обычно регулятор должен находиться в нейтральном положении (между "+" и "-").

Если стежки левой стороны петли наложены слишком плотно, поверните регулятор влево (+).
* Поворачивая регулятор влево, ослабляете застил левой стороны.

Если стежки левой стороны петли наложены слишком редко, поверните регулятор вправо (-).
* Поворачивая регулятор вправо, уплотняете застил левой стороны.



□ Выметывание петли

1. Снимите универсальную лапку и установите прижимную лапку для выметывания петли.
2. Определите диаметр и толщину пуговицы, добавьте 0,3см на закрепки, сделайте метки для размещения петли на изделии (а).
3. Расположите ткань под лапкой так, чтобы отмеченная линия петли на ткани совпала с центром лапки (b). Очистите лапку.

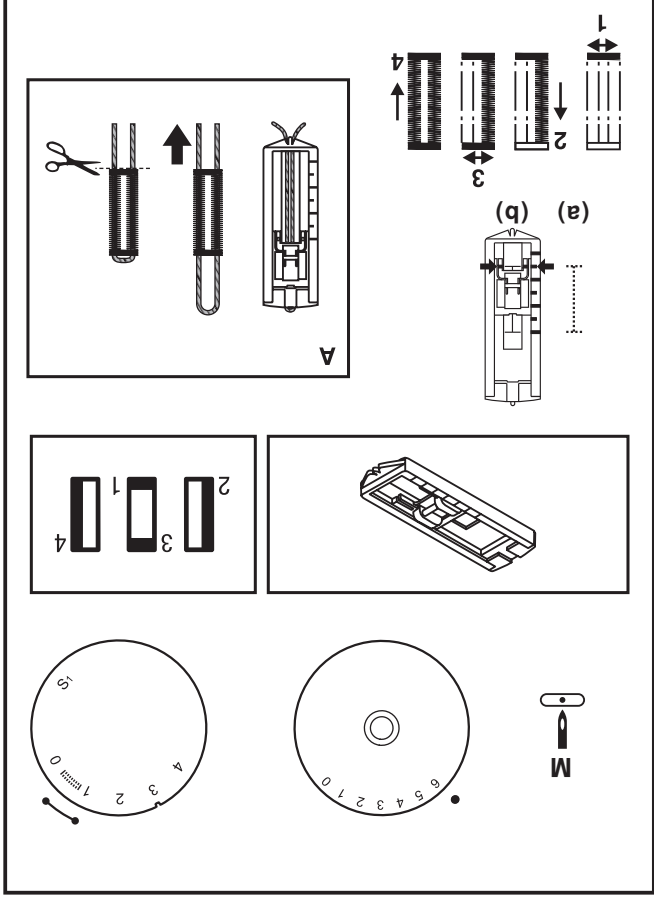
Установите регулятор длины стежка на отметку "0" для установки плотности выметывания петли. Установите ширину стежка в соответствии с типом выбранной ткани. Рекомендуется выметать пробную петлю на отрезке выбранной ткани, чтобы проверить правильность настроек.

Важно: Плотность выметывания петли выбирается в зависимости от типа выбранной ткани. Рекомендуется выметать пробную петлю на отрезке выбранной ткани.

Последовательно переключая регулятор выбора программ по шагам выметывания петли с 1-4, следите за тем, чтобы игла находилась в наивысшем положении. Рекомендуется не делать много стежков на шагах "1" и "3". Используйте распарыватель, вы прорежете необходимое отверстие в петле от краев по направлению к центру.

Советы:

- Натяжение верхней нити рекомендуется ослабить.
- При выметывании петлей обязательно подкалывайте стабилизатор.
- Петли будут более аккуратными, если их выполнять более толстыми нитками. На эластичных тканях рекомендуется делать петлю с вкладной нитью или шнуром (А).



□ Потайная подрубочная строчка

Потайная подрубочная строчка идеально подходит для обработки края на шторах, брюках, юбках и т.д.

4.4.4. Потайная подрубочная строчка для стандартных тканей

4.4.4. Потайная подрубочная строчка для эластичных тканей

Поверните регулятор длины стежка вправо. Для такого вида строчек необходимо устанавливать большую длину стежка. Принимая во внимание тип и плотность выбранной ткани, установите ширину стежка так, как это показано на рисунке. Обычно для тонких тканей необходимо устанавливать меньшую ширину стежка, чем для плотных тканей. Рекомендуется сначала потренироваться на отрезке такой же ткани, чтобы убедиться, что настройки подходят выбранной ткани.

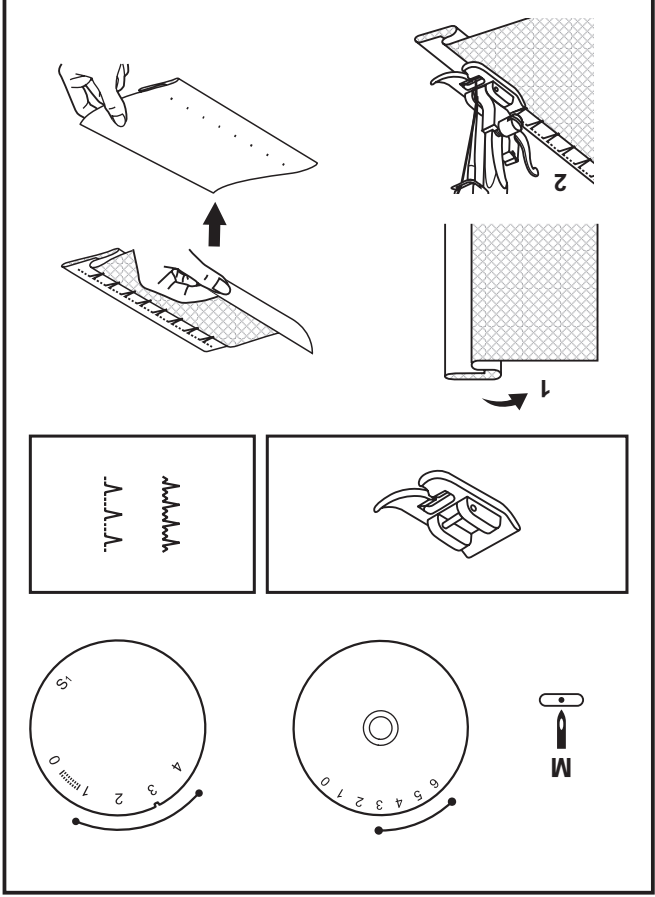
Потайная подрубочная строчка:

Подогните край на желаемую ширину и прижмите. Теперь подвиньте складку еще раз (как показано на рисунке 1) так, чтобы кройка выступала приблизительно на 7 мм справа от сложенной ткани.

Медленно начинайте шить, убедитесь, что игла захватывает несколько нитей верхней складки (2).

Заключив шить, разверните ткань и прогладайте.

Важно: Для получения лучшего результата используйте прижимную ленту для потайной подрубочной строчки, которую Вы можете приобрести у дилера машин SINGER®. (Смотрите артикул на стр. 6)



Режим шитья в обратном направлении

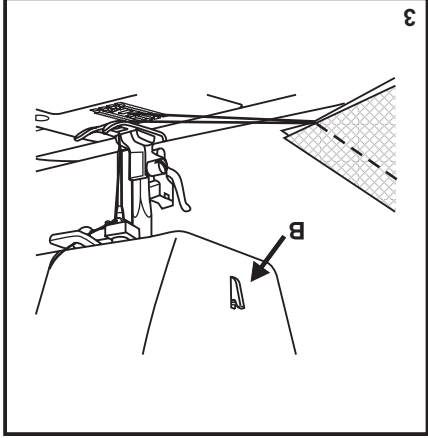
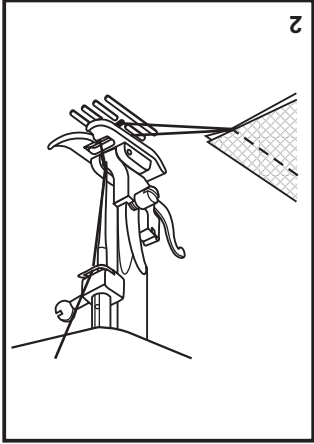
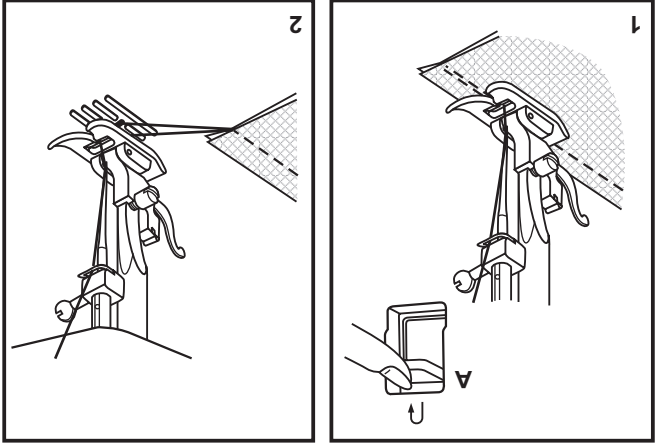
Для закрепления шва в начале и конце строчки, нажмите на рычаг шитья в обратном направлении (А). Сделайте несколько стежков в обратном направлении. Отпустите рычаг, и машина снова будет шить вперед (1).

Окончание шитья

Поверните маховое колесо против часовой стрелки для того, чтобы привести рычаг-нитенатягиватель в самое верхнее положение. Поднимите прижимную лапку и вытяните издепие назад за область иголы (2).

Обрезание нитей

Вытяните обе нити назад за прижимную лапку. Заведите нити за специальный нож для обрезания нитей, расположенный на корпусе машины (В). Потяните за нити вниз, чтобы их отрезать (3).

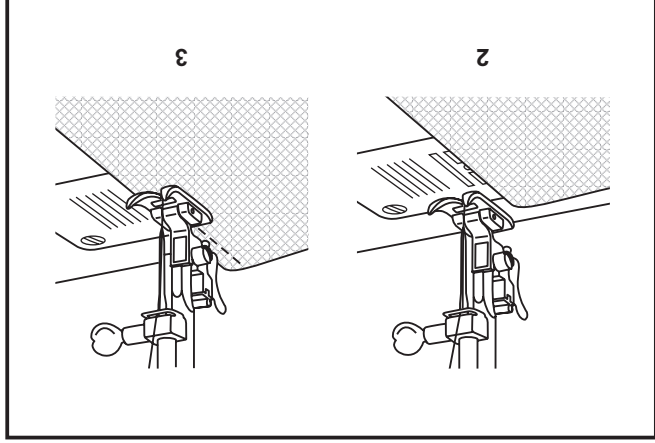
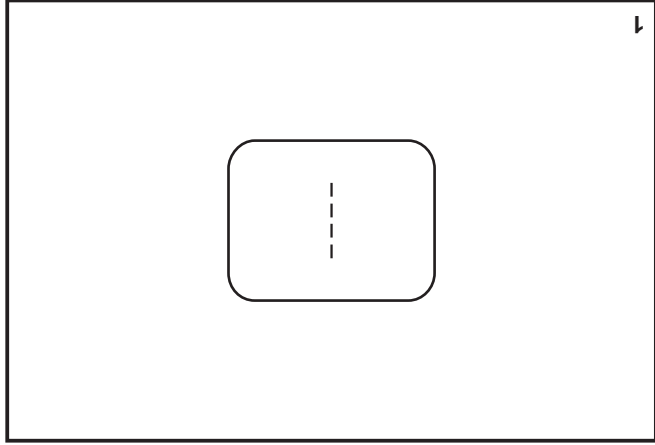


Прямая строчка

Для начала, установите Регулятор выбора строчек на прямую строчку (1).

Разместите ткань под прижимной лапкой так, чтобы край ткани совпадал с одной из выбранных отметок на игольной пластине (2).

Опустите прижимную лапку, нажмите на педаль управления, чтобы начать шить (3).



Регулятор ширины стежка и Регулятор длины стежка

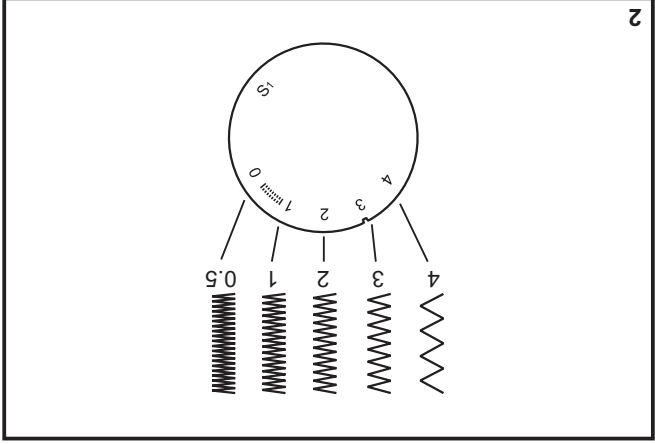
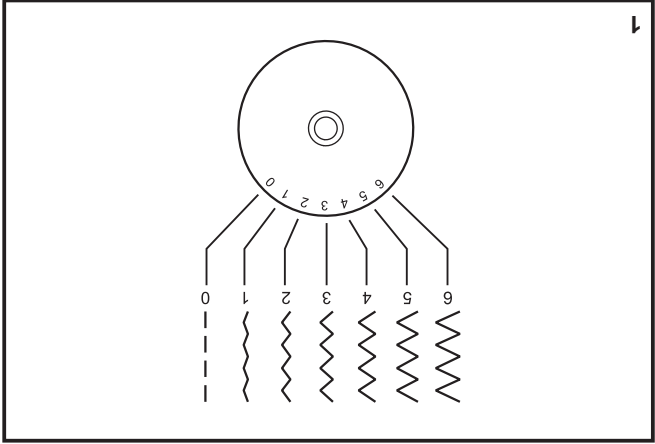
Использование регулятора ширины стежка
 Максимальная ширина стежка для строчки зиг-заг 6мм; для многих строчек ширина стежка может быть уменьшена. Ширина стежка увеличивается, когда вы поворачиваете регулятор от "0" до "6" (1).
 С помощью регулятора ширины стежка вы можете настроить положение иглы. "0" - это центральное положение иглы, "6" - крайнее левое положение иглы.

Использование регулятора длины стежка для строчки зиг-заг

Переключите регулятор выбора строчки в режим строчки зиг-заг. Плотность застила строчки зиг-заг будет увеличиваться с уменьшением показателя длины стежка "0".
 Параметры стежка для строчки зиг-заг обычно достигают "3" или ниже. (2)
 Плотная строчка зиг-заг называется гладевой (2).

Использование регулятора длины стежка для прямой строчки

Установите прямую строчку. Поверните регулятор длины стежка в сторону отметки "0", при этом длина стежка уменьшится. Длина стежка будет увеличиваться по мере вращения регулятора в сторону отметки "4". Рекомендуется использовать большую длину стежка для плотных тканей, толстых нитей и игл. Для тонких тканей, тонких нитей и игл, рекомендуется устанавливать меньшую длину стежка.

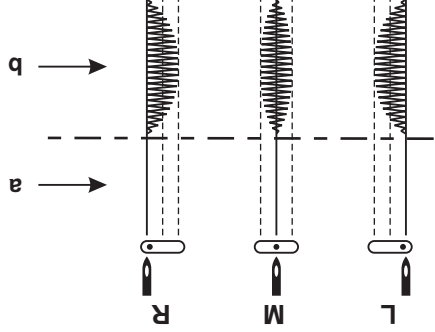


□ Три положения иголки

Вы можете устанавливать иглу в нужное положение с помощью регулятора "Три положения иголки". Для обычных видов работ используйте центральное положение иголки. Для обработки края или для создания параллельных строчек для отстрочки и заделывания, устанавливайте правое или левое положение иголки. Для шитья двойной иголкой положение иголки должно быть центральным.

a. Прямая
b. Зиг-заг

L. Левое положение иголки
M. Центральное положение иголки
R. Правое положение иголки



Выбор строчки

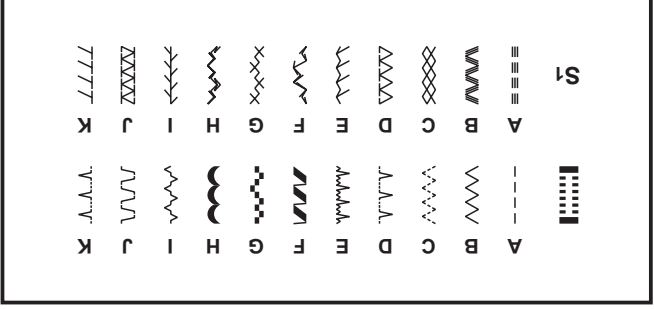
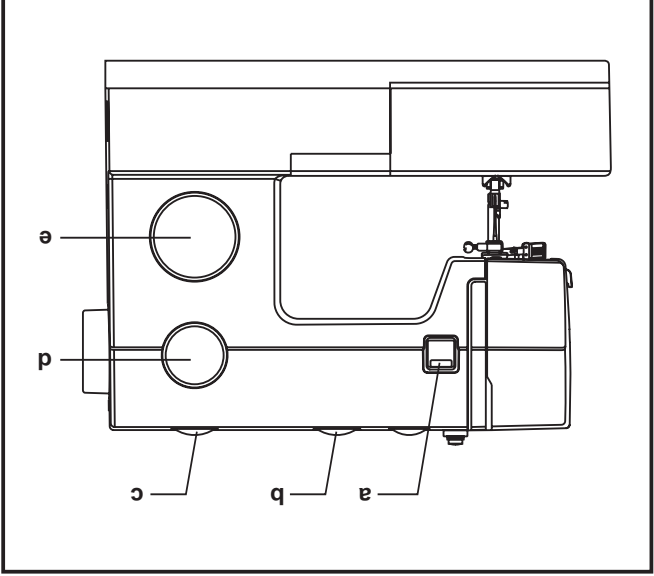
На рисунке вы увидите изображения всех видов строчек, которые доступны на вашей машине.

Строчки, изображенные в верхнем ряду на рисунке, на регуляторе выбора строчек изображены серым цветом. Вращая регулятор, вы можете выбрать одну из строчек, изображенных в сером цвете. С помощью Регулятора выбора строчек (е) установите желаемую строчку. Используя Регулятор длины стежка (d), настройте длину стежка. Используя Регулятор ширины стежка (с), настройте ширину стежка.

Строчки, которые изображены в нижнем ряду на рисунке, на регуляторе выбора строчек изображены синим цветом. Синий цвет обозначает, что это эластичные строчки; информацию об их применении вы найдете на стр. 17.

Регулятор выбора строчек можно вращать в любую сторону.

- a. Рычаг режима шитья в обратном направлении
- b. Три положения иголы
- c. Регулятор ширины стежка
- d. Регулятор длины стежка
- e. Регулятор выбора строчек



□ Натяжение нити

Натяжение верхней нити

Стандартное натяжение нити - положение: "4"; (1)

Для увеличения натяжения нити поверните регулятор на большее значение. Для уменьшения натяжения переведите регулятор на меньшее значение.

A. Нормальное натяжение нити для прямой строчки.

B. Недостаточное натяжение нити для прямой строчки.

Переведите регулятор на следующую позицию вверх.

C. Слишком сильное натяжение нити для прямой строчки.

Переведите регулятор на меньшее значение.

D. Нормальное натяжение для зигзагообразной и декоративной строчки. Регулируйте натяжение нити в случае, когда некоторое количество верхней нити

появляется на обратной стороне ткани.

Натяжение нижней нити

Правильное натяжение нижней нити было отрегулировано на заводе-изготовителе, вам не нужно его менять.

Важно:

- Правильное натяжение нити важно для создания прочных швов.

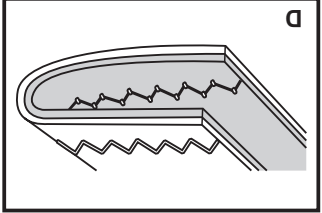
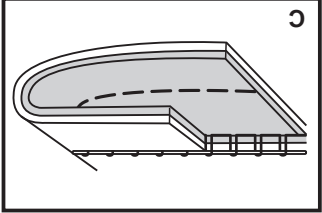
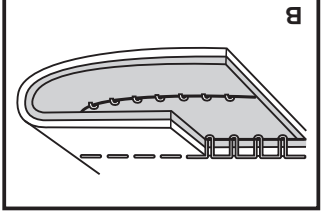
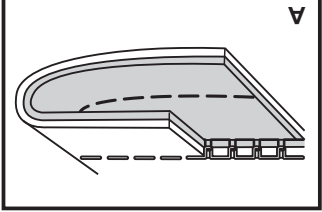
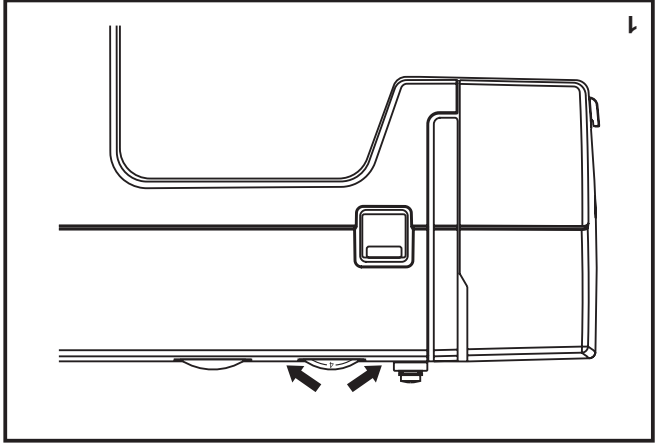
- Нет определенной степени натяжения нити, пригодного для всех видов строчек, нитей и тканей.

- Сбалансированное натяжение нити (соединение верхней и нижней нитей происходит между двух слоев ткани) рекомендуется только для прямой строчки.

- 90% всех работ будет производиться при натяжении нити от "3" до "5".

- Для зигзагообразных и декоративных строчек натяжение нити должно быть меньше, чем для прямой строчки.

- Все декоративные строчки будут иметь аккуратный вид, если переплетение нижней и верхней нитей будет происходить на изнаночной стороне изделия.



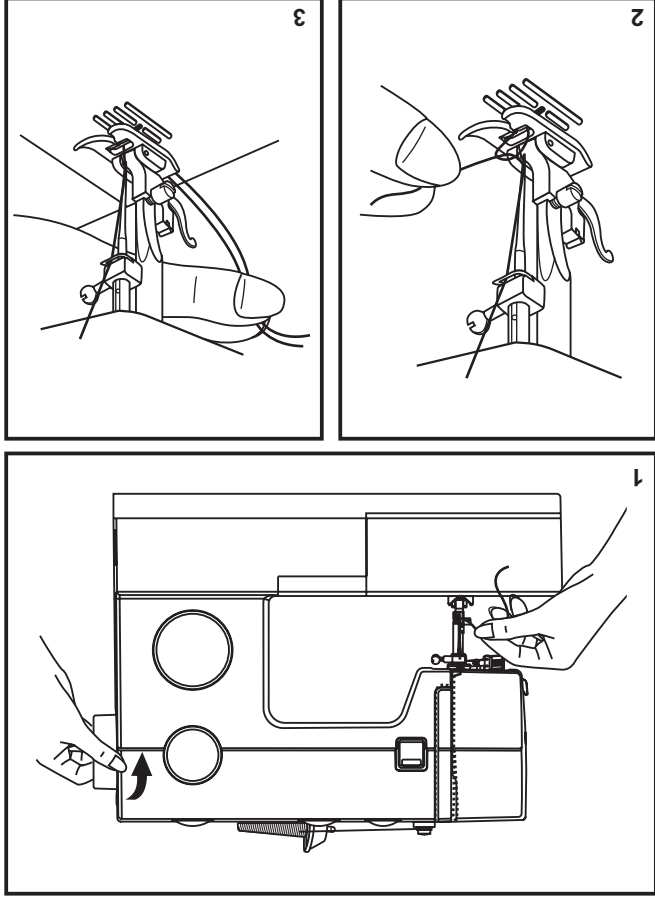
□ Подъем нижней нити

Поддерживайте верхнюю нить левой рукой. Поверните маховое колесо (1) на себя (против часовой стрелки), опустите и затем поднимите иглу.

Важно:
Если возникли сложности с поднятием нижней нити, проверьте, возможно, она засстряла в съемной рабочей поверхности.

Иголка потянется за верхнюю нить и достанет нижнюю нить, которая появится через отверстие в игольной пластине (2).

Затем проведите обе нити назад за прижимную лапку (3).



□ Заправка верхней нити

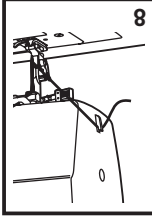
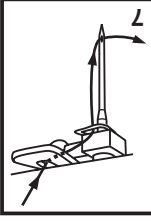
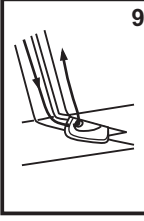
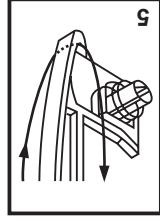
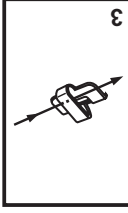
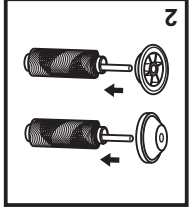
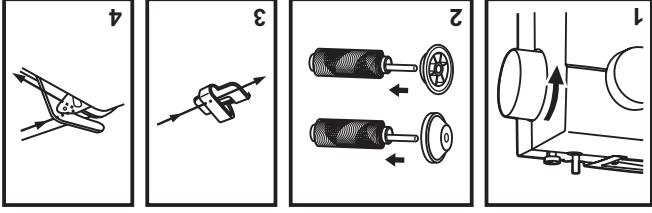
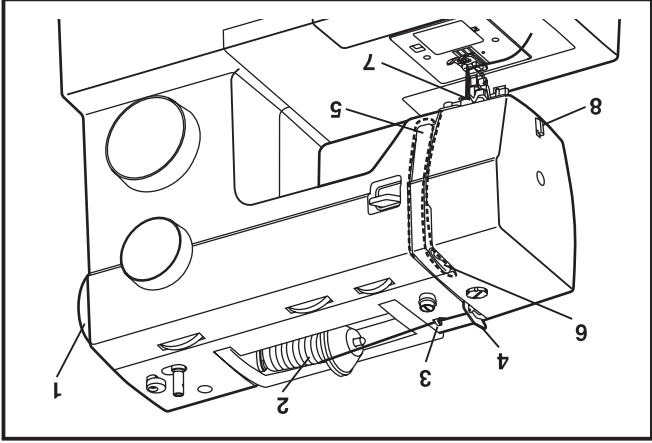
Это простая операция, но очень важно выполнить ее правильно, чтобы избежать появления проблем при шитье.

- Поднимите иглу в наивысшее положение (1) и продолжайте поворачивать маховое колесо на себя, против часовой стрелки, пока игла слегка не опустится. Поднимите прижимную лапку, чтобы диск регулирующий натяжение нити освободился.
- Важно:** Для вашей безопасности рекомендуется выключить машину, прежде чем начинать заправлять нить.

- Поднимите держатель для катушки. Разместите катушку на держателе, так чтобы нить разматывалась, как это показано на рисунке. Для маленьких катушек рекомендуется надевать малую катушечную пластину после катушки (2).

- Пропустите нить вниз через правый канал и вверх через левый (5). Во время заправки нити рекомендуется придерживать нить между катушкой и нитенаправителем.
- Заверните нить в пазок металлического рычага нитеприжимателя справа налево и опустите нить вниз. (6)

- Теперь пропустите нить за металлическим нитенаправителем и за тонкой металлической скобой над иглой (7); затем заправьте нить в игловое ушко, проведя нить спереди назад.
- Вытяните примерно 15см нити через ушко иглы и обрежьте с помощью встроеного ножа (8).



Установка шпульки

При установке или изъятии шпульки игла **должна** находиться в наивысшем положении.

1. Установите шпульку в шпульное гнездо, так чтобы нить разматывалась против часовой стрелки.

2. Протяните нить через порез (А).

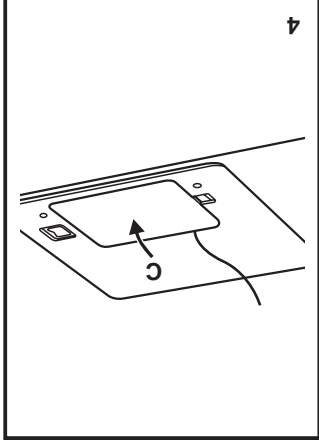
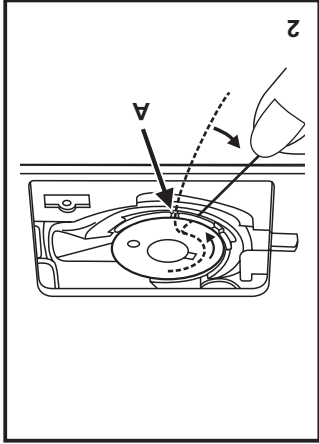
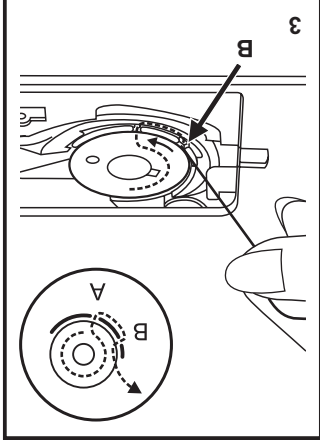
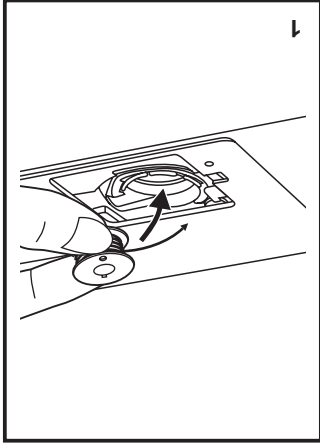
3. Потяните нить в направлении по ходу часовой стрелки пока она не попадет в выемку (В).

4. Вытяните примерно 15см нити и установите крышку на место (С).

Внимание:

Всегда выключайте машину ("О") перед установкой или изъятием шпульки.

8



□ Намотка нити на шпульку

- Наденьте катушку на горизонтальный держатель и закрепите при помощи большой или малой катушечной пластины (1/2).

- Проведите нить в нитенаправитель (3).

- Обведите нить вокруг диска регулируемого натяжения нити по часовой стрелке (4).

- Заправьте нить в шпульку и установите шпульку на рычаге (5).

- Отведите рычаг вправо (6).

- Придерживайте конец нити (7).

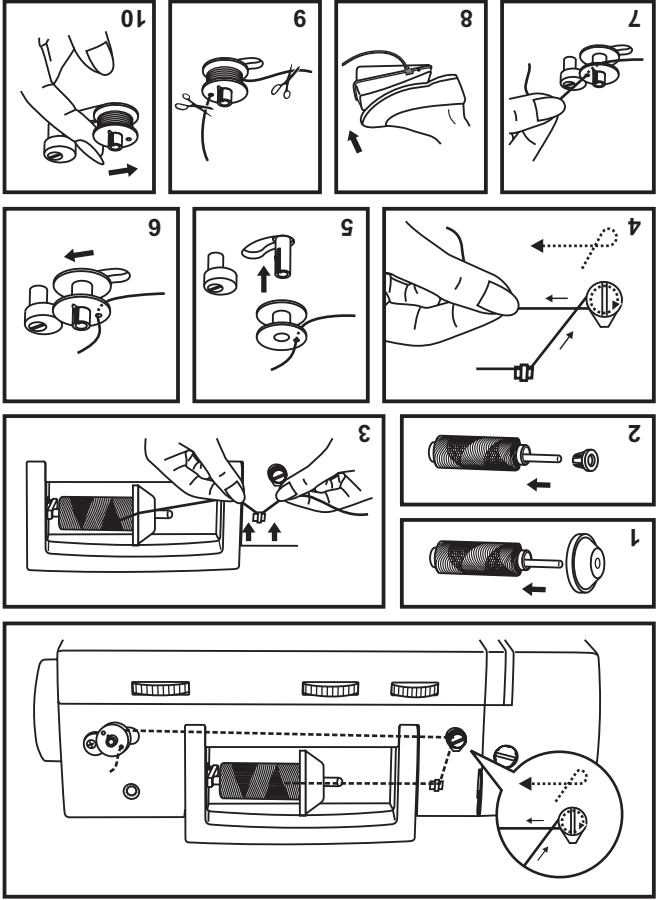
- Надавите на педаль (8).

- Обрежьте нить (9).

- Отведите рычаг влево (10) и снимите шпульку.

Пожалуйста, запомните:

Когда рычаг намотки шпульки находится в положении "намотка шпульки", машина не будет шить, и маховое колесо не будет вращаться. Для того чтобы шить, отведите рычаг в крайнее левое положение.



Двух-шаговый подъем лапки

При шитье многослойных или объемных тканей прижимная лапка должна быть поднята в самое верхнее положение для облегчения прохождения ткани под прижимной лапкой (А).

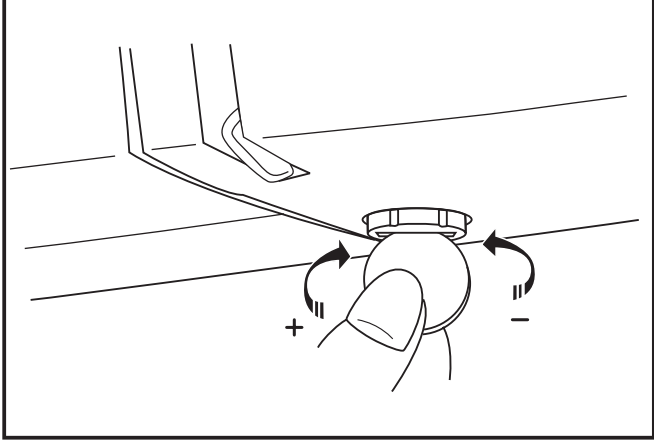
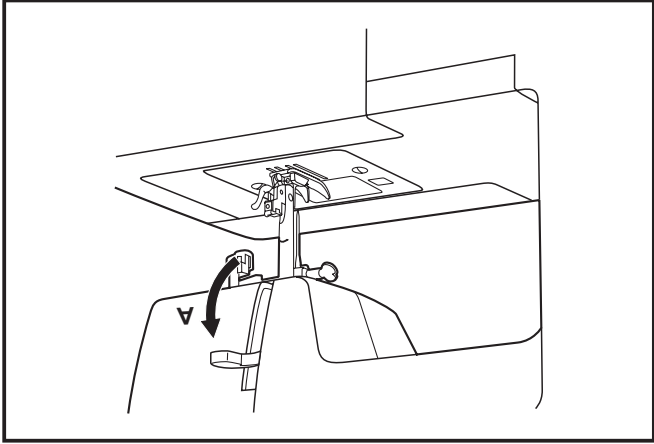
Регулирование давления прижимной лапки

Давление прижимной лапки было отрегулировано при сборке машины и не нуждается в дополнении тонких до плотных).

Если вам потребовалось отрегулировать давление прижимной лапки, поверните регулировочный винт с помощью монетки.

Для шитья очень тонких тканей, ослабьте давление лапки, поворачивая винт против часовой стрелки, а для шитья плотных тканей, поворачивайте винт по часовой

стрелке.



Подключение машины к электросети

Подключите машину к электросети, как показано на рисунке (1).

Вставьте вилку в розетку (2).

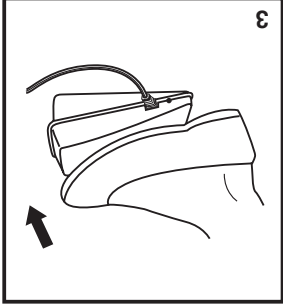
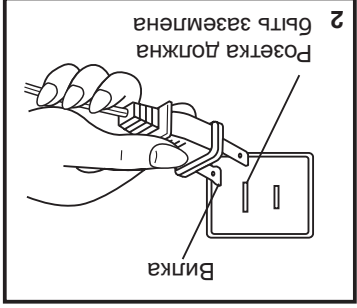
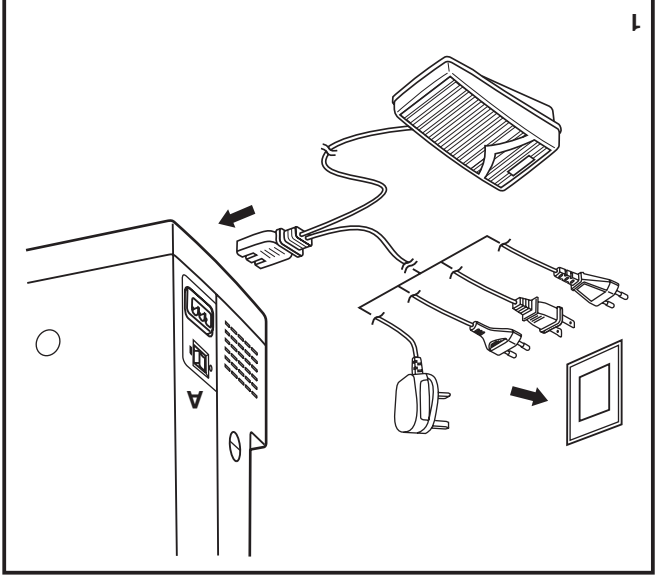
Внимание:
Отключайте машину от сети, если не используете ее длительное время.

Педаль управления
При помощи ножной педали вы регулируете скорость машины (3).

Внимание:
Проконсультируйтесь со специалистом, если вы сомневаетесь относительно напряжения в сети.
Отсоединяйте сетевой шнур, если не используете машину. Тип педали в соответствии с напряжением: KD-2902 (220-240V), 4C-326G (230V) Wakaho Electric Ind.co.,Ltd.

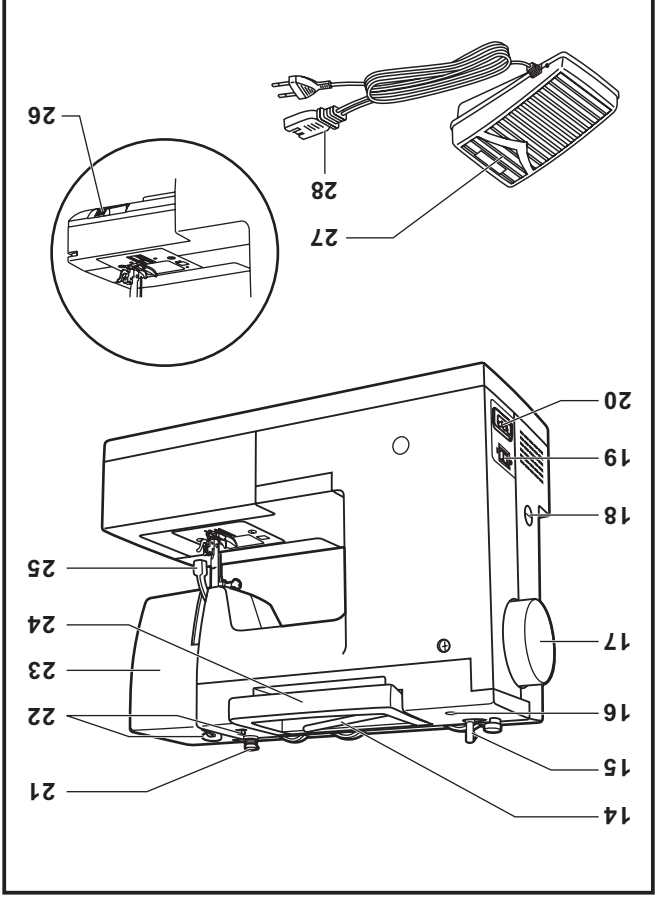
Лампочка освещения
Нажмите на главный выключатель (A) для включения машины и лампочки "1".

4



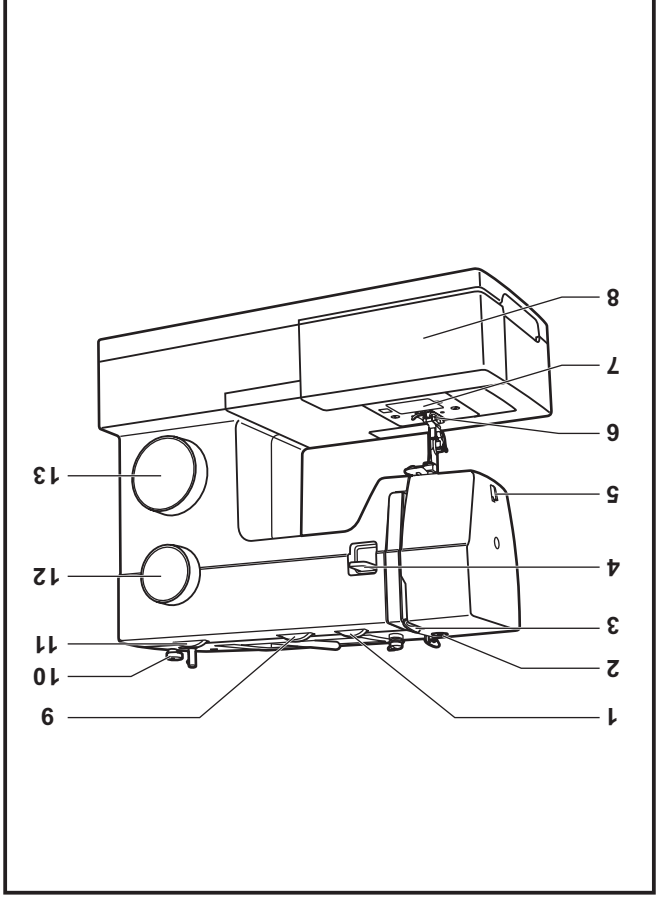
□ Основные части машины

14. Горизонтальный держатель для катушки
15. Рычаг намотки шпильной нити
16. Отверстие для второго держателя катушки
17. Маховое колесо
18. Регулировка баланса педли
19. Включение машины и освещения
20. Главный разъем для шнура
21. Нитенаправитель шпильной нити
22. Нитенаправитель верхней нити
23. Боковая панель
24. Рычаг
25. Рычаг подъема прижимной лапки
26. Рычаг отключения нижнего транспортера
27. Педаль управления
28. Шнур



□ Основные части машины

1. Регулятор натяжения верхней нити
2. Регулирование давления прижимной лапки
3. Рычаг-нитевтягиватель
4. Рычаг шитья в обратном направлении
5. Нож для обрезания нити
6. Прижимная лапка
7. Задвижная крышка шпульного отсека
8. Съемный отсек для хранения аксессуаров
9. Три положения иголы
10. Ограничитель для намотки шпульной нити
11. Регулятор ширины стежка
12. Регулятор длины стежка
13. Регулятор выбора строчки



ЗНАКОМСТВО С МАШИНОЙ

2/3	Основные части машины
4	Подключение машины к электросети
5	Дых-шатовый подьем лапки/ Регулирование давления прижимной лапки
6	Аксесуары
7	Намотка нити на шпульку
8	Установка шпульки
9	Заправка верхней нити
10	Подъем нижней нити
11	Натяжение нити
12	Выбор строчки
13	Три положения иглы
14	Регулятор ширины стежка и Регулятор длины стежка
15	Прямая строчка
16	Режим шитья в обратном направлении/Окончание шитья/Обрезание нити
17	Потайная подрубочная строчка
18	Выемывание петель
19	Баланс правой и левой сторон петли
20	Пришивание пуговицы
21	Установка съемной рабочей поверхности
22	Установка держателя лапки
23	Таблица соответствия типов Иглы/Ткани/Нитей
24	Как опустить зубцы транспортера
25	Установка и смена иглы
26	Замена лампочки
27	Неполадки и их устранение

Основная информация

Уход за машиной и выявление неполадок

Поздравляем

Вы стали обладателем новой швейной машины и теперь можете начать открывать новые пути в творчестве.

С этого момента вы узнаете насколько легко и удобно можно шить на современной швейной машине.

Пожалуйста, внимательно прочитайте инструкцию по эксплуатации машины - это самый легкий путь для исследования творческого потенциала вашей машины.

Будьте уверены, что ваша машина обладает самыми современными швейными возможностями, так как производитель постоянно работает над усовершенствованием модификации, дизайна и принадлежностей своих швейных машин.

SINGER является зарегистрированной торговой маркой Singer Company Ltd. и ее филиалов. SINGER является зарегистрированной торговой маркой Singer Company Ltd. и ее филиалов. © 2010 Singer Company Ltd. или ее филиалов. Все права защищены по всему миру.

Правила техники безопасности

9. Выключайте машину в положение "0", когда производите какие-либо действия в области итлы.
 10. Всегда отключайте машину от электросети, когда отдаете на нее чехол, проводите смазку или какие-либо технические действия, описанные в инструкции.
 11. Нельзя вставлять посторонние предметы в отверстия машины.
 12. Не используйте машину вне помещений.
 13. Не допускаться работа машины в местах использования аэрозольей, спреев и т.д.
 14. Для отключения необходимо перевести переключатель в положение "Выключено-0" и затем извлечь штепсель из розетки.
 15. При извлечении из розетки нельзя тянуть за сетевой шнур, дергаться за штепсель.
 16. При нормальных условиях для работы шума швейной машины 75дБ.
 17. При обнаружении неисправностей в работе швейной машины, пожалуйста, выключите ее или отсоедините от сети питания.
 18. Запрещается ставить какие-либо предметы на pedal управления.
 19. В случае, если соединительный шнур pedal управления повреджен, он должен быть заменен производителем или авторизованным сервис центром во избежание поражения электрическим током.
 20. Этот аппарат должен не предназначаться для использования людьми (в том числе и детьми) с органическими физическими, нервными или психическими заболеваниями, или недостатком опыта и осведомленности, за исключением случаев, когда производитель был даны соответствующие инструкции или эксплуатация прибора происходит под наблюдением лица, ответственного за их безопасность.
 21. Дети могут работать со швейной машиной только под присмотром, чтобы исключить игру со швейной машиной.
- БЕРЕЖНО ХРАНИТЕ ИНСТРУКЦИЮ**
- Эта швейная машина предназначена лишь для домашнего использования.

Прежде чем включить швейную машину, внимательно прочитайте следующие рекомендации:

ОПАСНО - во избежание электрического шока:

1. Нельзя оставлять включенную машину без присмотра.
2. Необходимо отключать машину от электросети, если собираетесь ее чистить.
3. Всегда отключайте машину от сети электропитания перед заменой лампочки. Лампочка должна быть мощностью 15 W (220-240V).

ВНИМАНИЕ - Во избежание возгорания, электрического шока или удушья:

1. Не пользуйтесь машиной как игрушкой. Будьте особенно внимательны, если рядом находятся дети.
2. Работайте на машине только в соответствии с инструкцией. Используйте принятые нормы и стандарты, указанные в инструкции и рекомендациях фирм-производителей.
3. Нельзя включать машину, если поврежден шнур или штепсель, если машина работает с перебоями, если произошло падение машины и не возможно ее продолжать работу. Если машина работает на машине, если вентиляторные отверстия закрыкованы. Всегда следите за состоянием швейной машины и pedal управления. Необходимо регулярно чистить от пыли, ворса и пыли.
5. Не допрашивайте пальцами до движущихся частей машины. Во время работы будьте внимательны в области итлы.
6. Всегда устанавливайте только подходящую иглу и пластину. Несоответствующая игла игольная пластина может привести к поломке итлы.
7. Регулярно меняйте иглы, так как они со временем становятся тупыми, появляются заусеницы, что приводит к некачественной строчке.
8. Не тяните и не подталкивайте ткань во время шитья. Это может привести к поломке или искривлению итлы.

4411 Инструкции по эксплуатации

SINGER®

